

1 MISO FIREBOWL - REQUIRES NATURAL GAS CONNECTION
SCALE: 1 : 20

2 CHAISE LONGUE BY GANDIA-BLASCO
SCALE: NTS

3 CLIP CHAIR BY GANDIA-BLASCO
SCALE: NTS

4 LIGHT BOLLARD
SCALE: NTS

Specification Sheet

CONSTRUCTION

Broiler: Composed of a curved aluminum side of Ø23.31" (600 mm) and section welded to aluminum heavy gauge aluminum plate. It has a stainless steel support structure to be bolted to the structure. The tubes is welded to a pole maximum made of 1.50" (38.1 mm) and a Ø27.127" (690 mm) and section aluminum. The pole maximum made of 1.50" (38.1 mm) and a Ø27.127" (690 mm) and section aluminum. The pole maximum made of 1.50" (38.1 mm) and a Ø27.127" (690 mm) and section aluminum. The pole maximum made of 1.50" (38.1 mm) and a Ø27.127" (690 mm) and section aluminum.

FINISH

All surfaces are chemically treated against corrosion through a multi-stage immersion process. The polymer powder finish is applied by electrocoat process offering an excellent adherence to the substrate. The finish is available in the following colors: Anthracite, Carbon, Copper, Dark Green, Dark Grey, Dark Red, Dark Yellow, Light Green, Light Grey, Light Yellow, Orange, Red, Silver, White, Yellow.

WARRANTY

The product has a 5-year limited warranty on the finish and against any manufacturing defect.

TPS Lighting - Mike Hamilton 416.238.9793

1/2 © Copyright Lumenpulse 2011 1-877-937-3333 1-877-937-3333 1-877-937-3333
1771 Birchmount, Suite 1000 1771 Birchmount, Suite 1000 1771 Birchmount, Suite 1000
Mississauga, Ontario L4X 1L6 Mississauga, Ontario L4X 1L6 Mississauga, Ontario L4X 1L6

Specification Sheet

CONSTRUCTION

Broiler: Composed of a curved aluminum side of Ø23.31" (600 mm) and section welded to aluminum heavy gauge aluminum plate. It has a stainless steel support structure to be bolted to the structure. The tubes is welded to a pole maximum made of 1.50" (38.1 mm) and a Ø27.127" (690 mm) and section aluminum. The pole maximum made of 1.50" (38.1 mm) and a Ø27.127" (690 mm) and section aluminum. The pole maximum made of 1.50" (38.1 mm) and a Ø27.127" (690 mm) and section aluminum.

FINISH

All surfaces are chemically treated against corrosion through a multi-stage immersion process. The polymer powder finish is applied by electrocoat process offering an excellent adherence to the substrate. The finish is available in the following colors: Anthracite, Carbon, Copper, Dark Green, Dark Grey, Dark Red, Dark Yellow, Light Green, Light Grey, Light Yellow, Orange, Red, Silver, White, Yellow.

WARRANTY

The product has a 5-year limited warranty on the finish and against any manufacturing defect.

TPS Lighting - Mike Hamilton 416.238.9793

1/2 © Copyright Lumenpulse 2011 1-877-937-3333 1-877-937-3333 1-877-937-3333
1771 Birchmount, Suite 1000 1771 Birchmount, Suite 1000 1771 Birchmount, Suite 1000
Mississauga, Ontario L4X 1L6 Mississauga, Ontario L4X 1L6 Mississauga, Ontario L4X 1L6

Specification Sheet

CONSTRUCTION

Broiler: Composed of a curved aluminum side of Ø23.31" (600 mm) and section welded to aluminum heavy gauge aluminum plate. It has a stainless steel support structure to be bolted to the structure. The tubes is welded to a pole maximum made of 1.50" (38.1 mm) and a Ø27.127" (690 mm) and section aluminum. The pole maximum made of 1.50" (38.1 mm) and a Ø27.127" (690 mm) and section aluminum. The pole maximum made of 1.50" (38.1 mm) and a Ø27.127" (690 mm) and section aluminum.

FINISH

All surfaces are chemically treated against corrosion through a multi-stage immersion process. The polymer powder finish is applied by electrocoat process offering an excellent adherence to the substrate. The finish is available in the following colors: Anthracite, Carbon, Copper, Dark Green, Dark Grey, Dark Red, Dark Yellow, Light Green, Light Grey, Light Yellow, Orange, Red, Silver, White, Yellow.

WARRANTY

The product has a 5-year limited warranty on the finish and against any manufacturing defect.

TPS Lighting - Mike Hamilton 416.238.9793

1/2 © Copyright Lumenpulse 2011 1-877-937-3333 1-877-937-3333 1-877-937-3333
1771 Birchmount, Suite 1000 1771 Birchmount, Suite 1000 1771 Birchmount, Suite 1000
Mississauga, Ontario L4X 1L6 Mississauga, Ontario L4X 1L6 Mississauga, Ontario L4X 1L6

Specification Sheet

CONSTRUCTION

Broiler: Composed of a curved aluminum side of Ø23.31" (600 mm) and section welded to aluminum heavy gauge aluminum plate. It has a stainless steel support structure to be bolted to the structure. The tubes is welded to a pole maximum made of 1.50" (38.1 mm) and a Ø27.127" (690 mm) and section aluminum. The pole maximum made of 1.50" (38.1 mm) and a Ø27.127" (690 mm) and section aluminum. The pole maximum made of 1.50" (38.1 mm) and a Ø27.127" (690 mm) and section aluminum.

FINISH

All surfaces are chemically treated against corrosion through a multi-stage immersion process. The polymer powder finish is applied by electrocoat process offering an excellent adherence to the substrate. The finish is available in the following colors: Anthracite, Carbon, Copper, Dark Green, Dark Grey, Dark Red, Dark Yellow, Light Green, Light Grey, Light Yellow, Orange, Red, Silver, White, Yellow.

WARRANTY

The product has a 5-year limited warranty on the finish and against any manufacturing defect.

TPS Lighting - Mike Hamilton 416.238.9793

1/2 © Copyright Lumenpulse 2011 1-877-937-3333 1-877-937-3333 1-877-937-3333
1771 Birchmount, Suite 1000 1771 Birchmount, Suite 1000 1771 Birchmount, Suite 1000
Mississauga, Ontario L4X 1L6 Mississauga, Ontario L4X 1L6 Mississauga, Ontario L4X 1L6

Specification Sheet

CONSTRUCTION

Broiler: Composed of a curved aluminum side of Ø23.31" (600 mm) and section welded to aluminum heavy gauge aluminum plate. It has a stainless steel support structure to be bolted to the structure. The tubes is welded to a pole maximum made of 1.50" (38.1 mm) and a Ø27.127" (690 mm) and section aluminum. The pole maximum made of 1.50" (38.1 mm) and a Ø27.127" (690 mm) and section aluminum. The pole maximum made of 1.50" (38.1 mm) and a Ø27.127" (690 mm) and section aluminum.

FINISH

All surfaces are chemically treated against corrosion through a multi-stage immersion process. The polymer powder finish is applied by electrocoat process offering an excellent adherence to the substrate. The finish is available in the following colors: Anthracite, Carbon, Copper, Dark Green, Dark Grey, Dark Red, Dark Yellow, Light Green, Light Grey, Light Yellow, Orange, Red, Silver, White, Yellow.

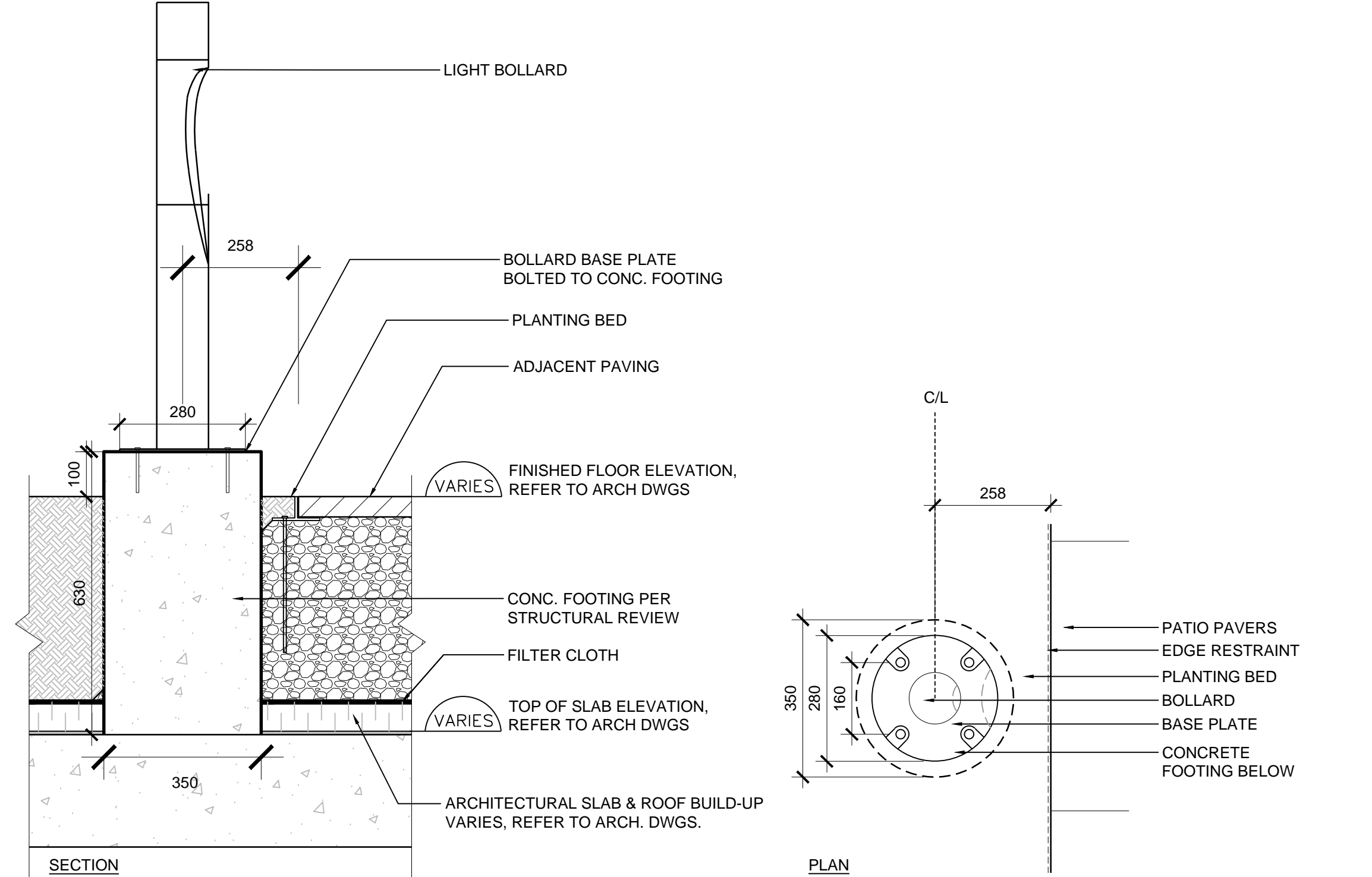
WARRANTY

The product has a 5-year limited warranty on the finish and against any manufacturing defect.

TPS Lighting - Mike Hamilton 416.238.9793

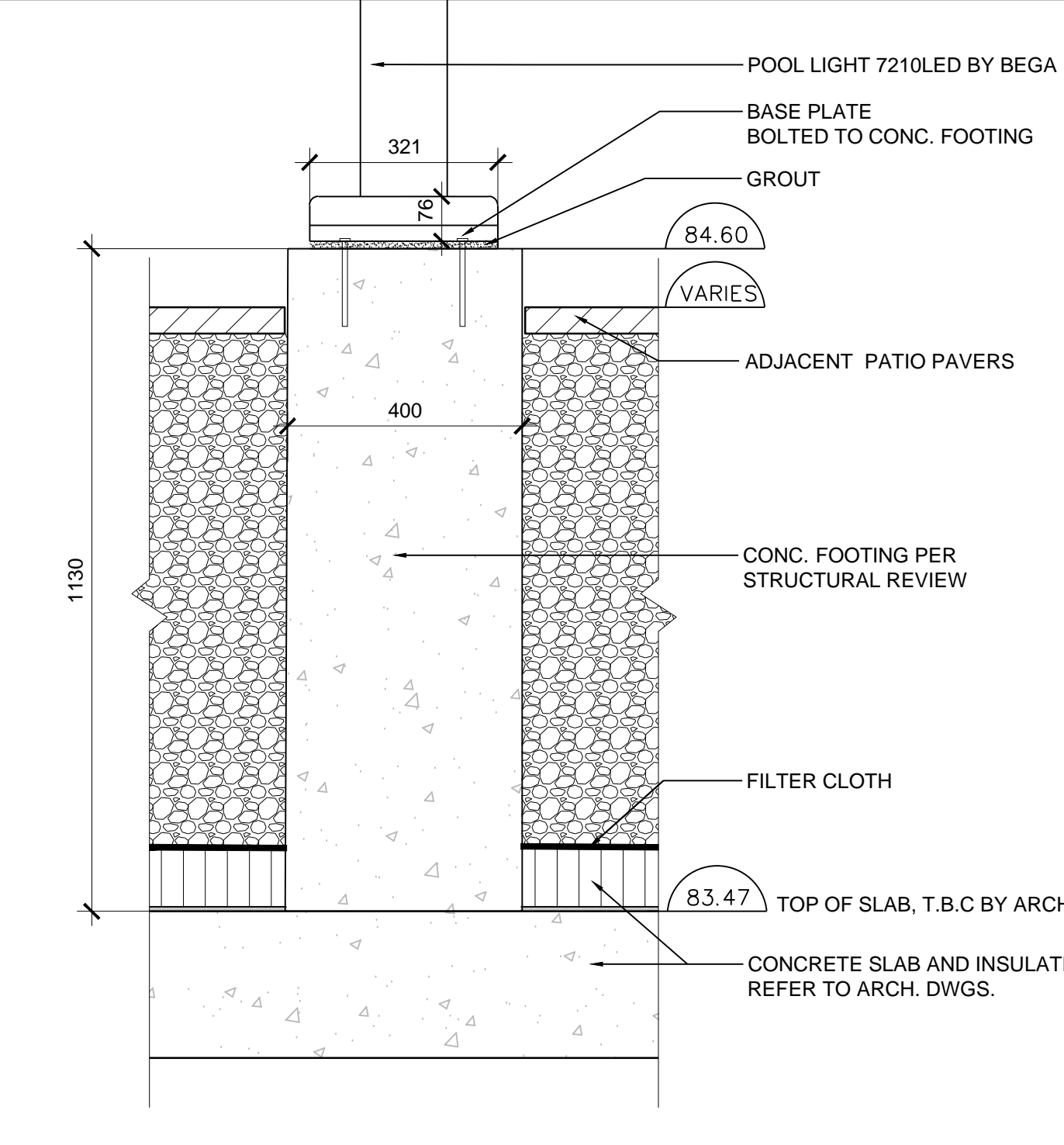
1/2 © Copyright Lumenpulse 2011 1-877-937-3333 1-877-937-3333 1-877-937-3333
1771 Birchmount, Suite 1000 1771 Birchmount, Suite 1000 1771 Birchmount, Suite 1000
Mississauga, Ontario L4X 1L6 Mississauga, Ontario L4X 1L6 Mississauga, Ontario L4X 1L6

5 POOL LIGHT - LUMENAREA PURE PU5 BY LUMENPULSE
SCALE: NTS



7 LIGHT BOLLARD INSTALLATION
SCALE: 1 : 10

6 DETAIL INTENTIONALLY DELETED
SCALE: NTS



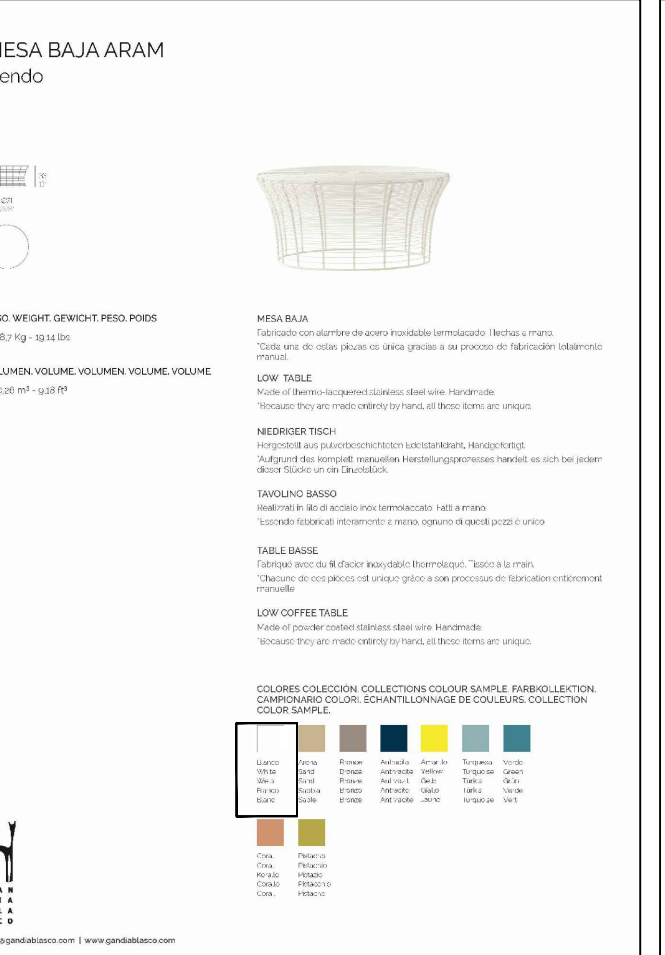
8 POOL LIGHT FOOTING
SCALE: 1 : 10

9 ARMCHAIR BY GANDIA-BLASCO
SCALE: NTS



9 ARMCHAIR BY GANDIA-BLASCO
SCALE: NTS

10 TABLE BY GANDIA-BLASCO
SCALE: NTS



10 TABLE BY GANDIA-BLASCO
SCALE: NTS

11 BONES MACETERO 120 PLANTED POT BY VONDOM
SCALE: NTS



11 BONES MACETERO 120 PLANTED POT BY VONDOM
SCALE: NTS

Contractor Must Check And Verify All Dimensions On The Job.
Do Not Scale The Drawings.
All Drawings, Specifications And Related Documents Are The Copyright Of The Architect And Must Be Returned Upon Request.
Reproduction Of Drawings, Specifications And Related Documents In Part Or Whole Is Forbidden Without The Architects Written Permission.
This Drawing Is Not To Be Used For Construction Until Signed By The Architect.
Date:

Janet Rosenberg & Studio
Landscape Architecture and Urban Design
1 416 656 6655 | 1 416 656 5756 | www.jrstudio.ca
148 Kenwood Avenue, Toronto Ontario M6C 2S3 Canada

No.	Revision	Date
1.	Issued for Site Plan Approval to WT	15.01.30
2.	Issued for Site Plan Approval	15.03.04
3.	Waterfront Toronto SPA Submission #2	15.07.08
4.	Toronto SPA Submission #3	15.08.25
5.	Issued for Formwork Tender	15.09.10
6.	Issued for Masonry Tender	15.10.29
7.	Issued for Site Plan Approval	16.02.11
8.	Issued for Coordination	16.08.11



Landscape Details
2nd. Floor Amenity Level

Hines TRIDEL

Aquavista
BAYSIDE, TORONTO
Scale
NTS
CP
RB
14-117
06/03/14

Project
No.
Date
Drawing No.
L-502