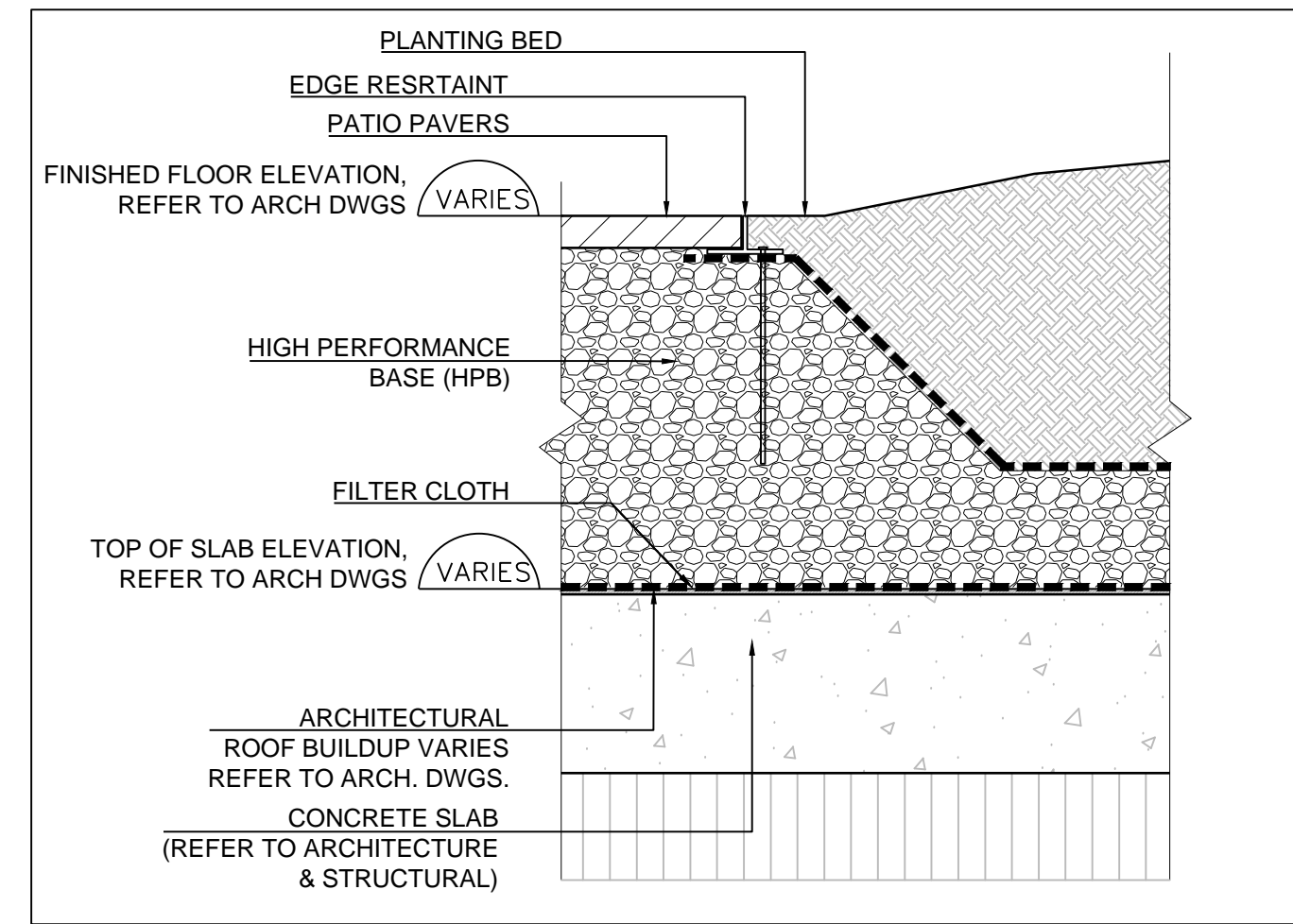
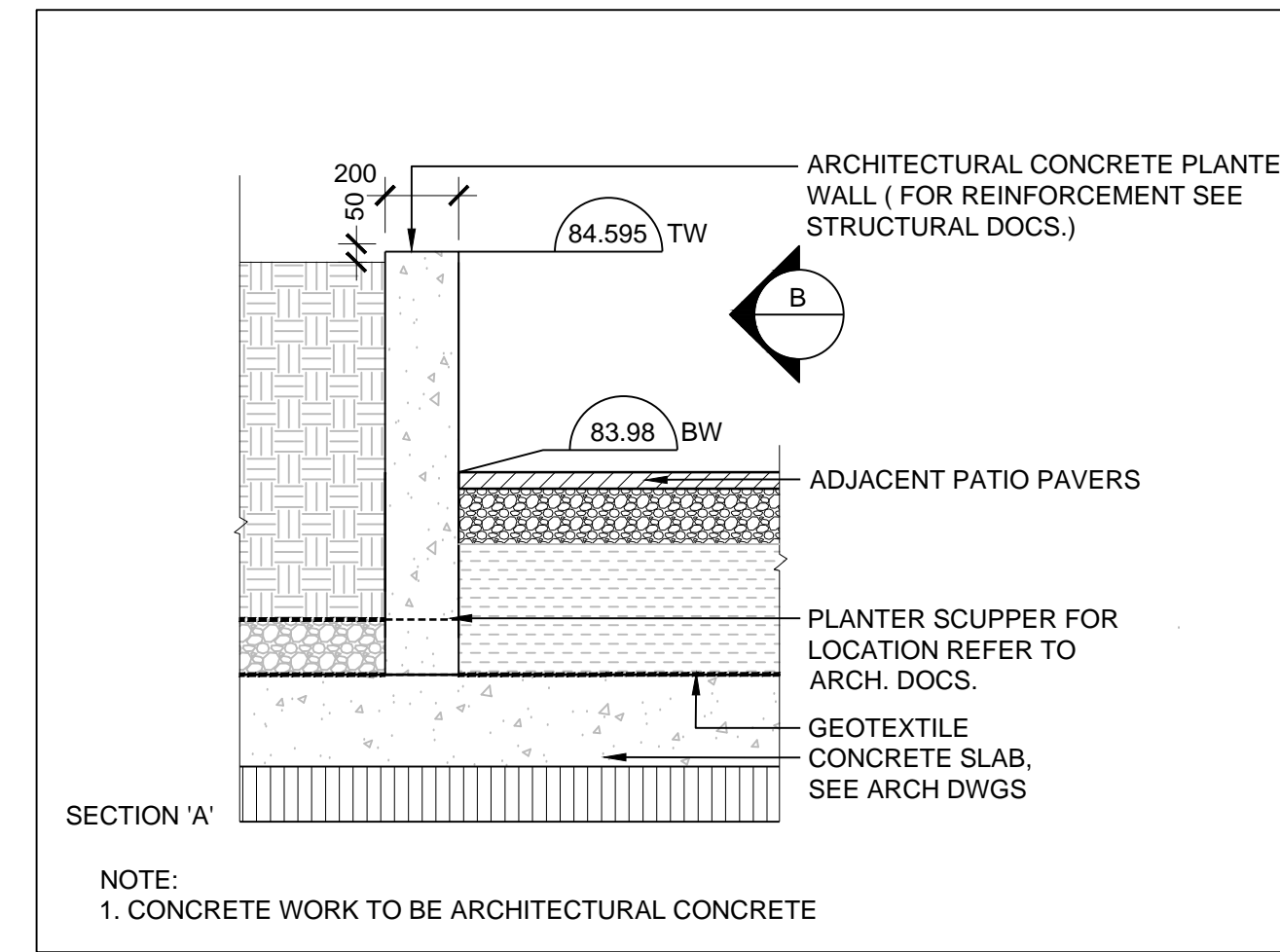


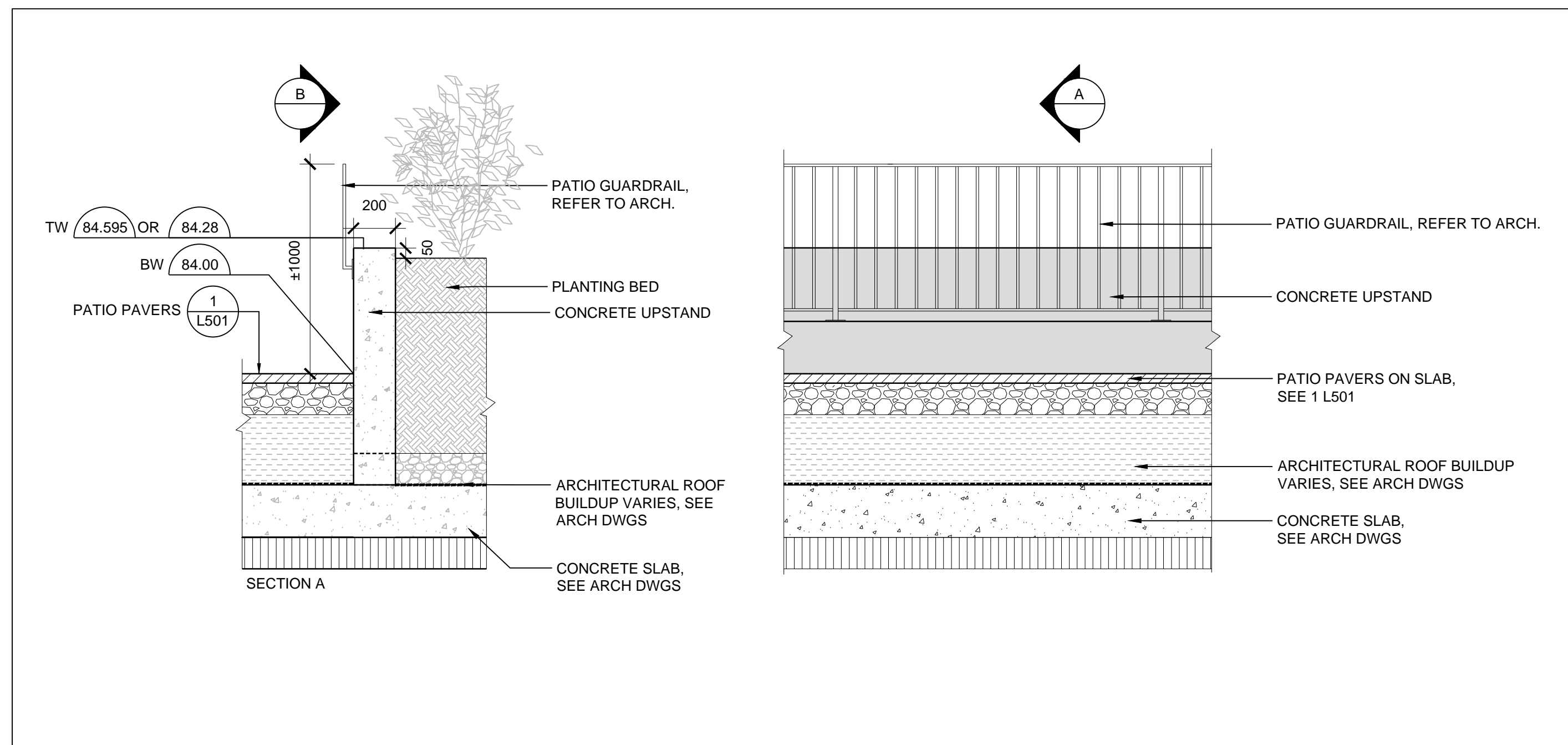
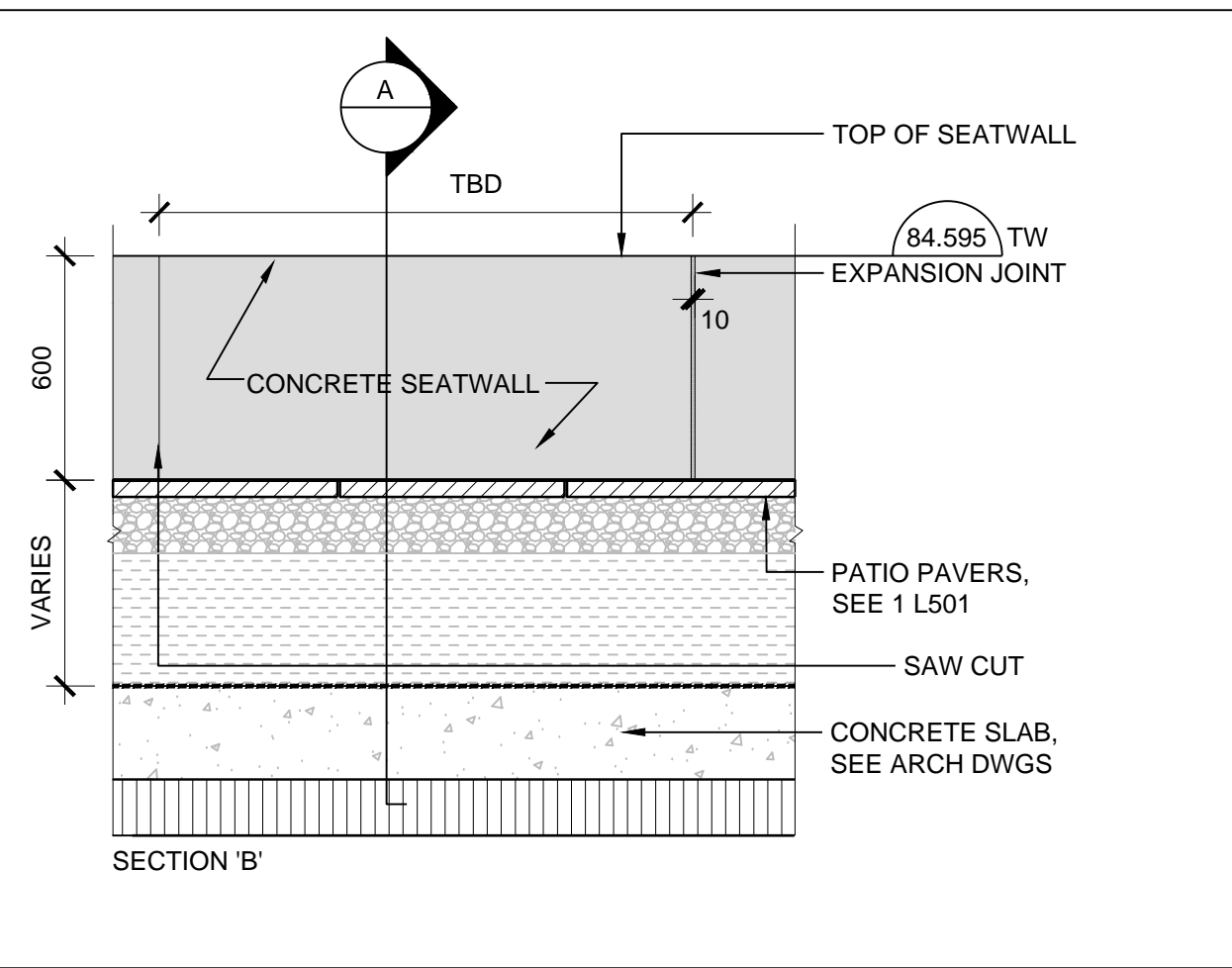
1 PATIO PAVERS  
SCALE: 1 : 10



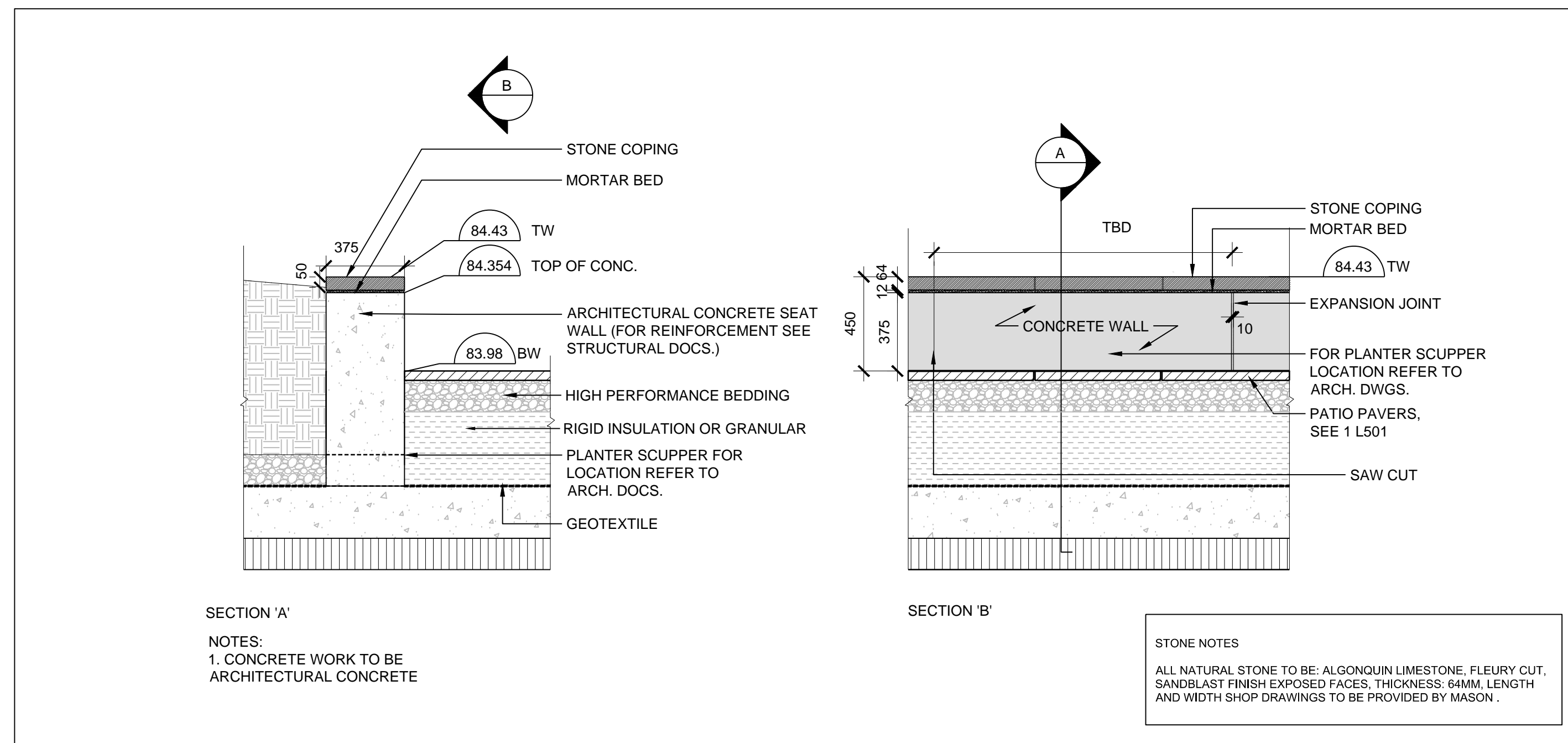
2 EDGE RESTRAINT FOR PATIO PAVERS ADJACENT TO PLANTING BED  
SCALE: 1 : 10



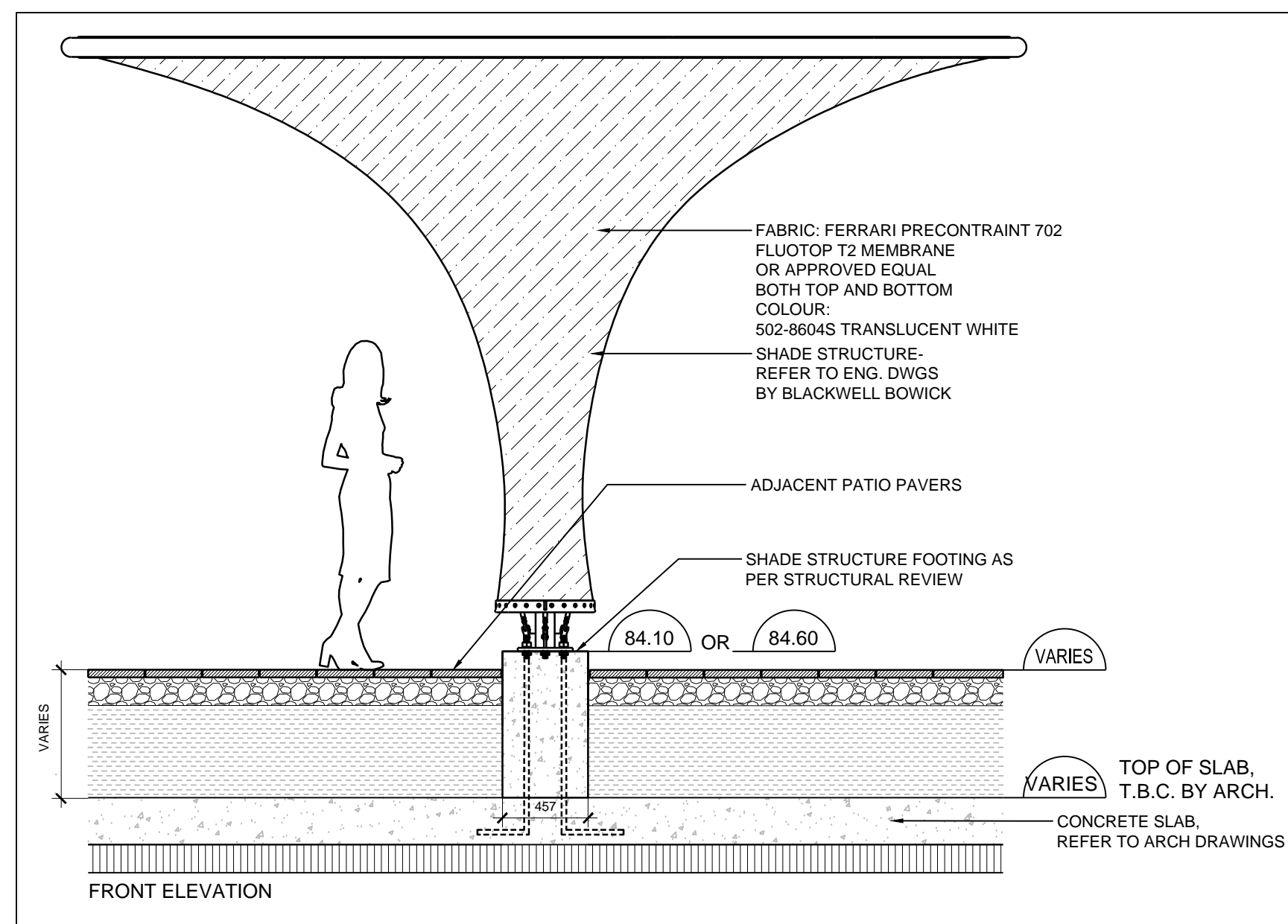
3 CONCRETE WALL  
SCALE: 1 : 20



4 CONCRETE WALL FOR PRIVATE TERRACES  
SCALE: 1 : 20



5 CONCRETE WALL WITH STONE COPING  
SCALE: 1 : 20



6 SHADE STRUCTURE FOOTING  
SCALE: 1 : 30

Contractor Must Check And Verify All Dimensions On The Job.  
Do Not Scale The Drawings.  
All Drawings, Specifications And Related Documents Are The Copyright Of The Architect And Must Be Returned Upon Request.  
Reproduction Of Drawings, Specifications And Related Documents In Part Or Whole Is Forbidden Without The Architects Written Permission.  
This Drawing Is Not To Be Used For Construction Until Signed By The Architect.  
Date:

**Janet Rosenberg & Studio**  
Landscape Architecture and Urban Design  
t 416 656 6655 f 416 656 5756 www.jrstudio.ca  
148 Kenwood Avenue, Toronto Ontario M5C 2S3 Canada

No.:	Revision	Date
1.	Issued for Site Plan Approval to WT	15.01.30
2.	Issued for Site Plan Approval	15.03.04
3.	Waterfront Toronto SPA Submission #2	15.07.08
4.	Toronto SPA Submission #3	15.08.25
5.	Issued for Formwork Tender	15.09.10
6.	Issued for Masonry Tender	15.10.29
7.	Issued for Site Plan Approval	16.02.11
8.	Issued for Coordination	16.08.11



Drawing Title  
**Landscape Details  
2nd. Floor Amenity Level**

Project

**Hines TRIDEL**

Aquavista

BAYSIDE, TORONTO

Scale

NTS

Drawn by

CP

Checked by

RB

Project No.

14-117

Date

06/03/14

Drawing No.

L-501

