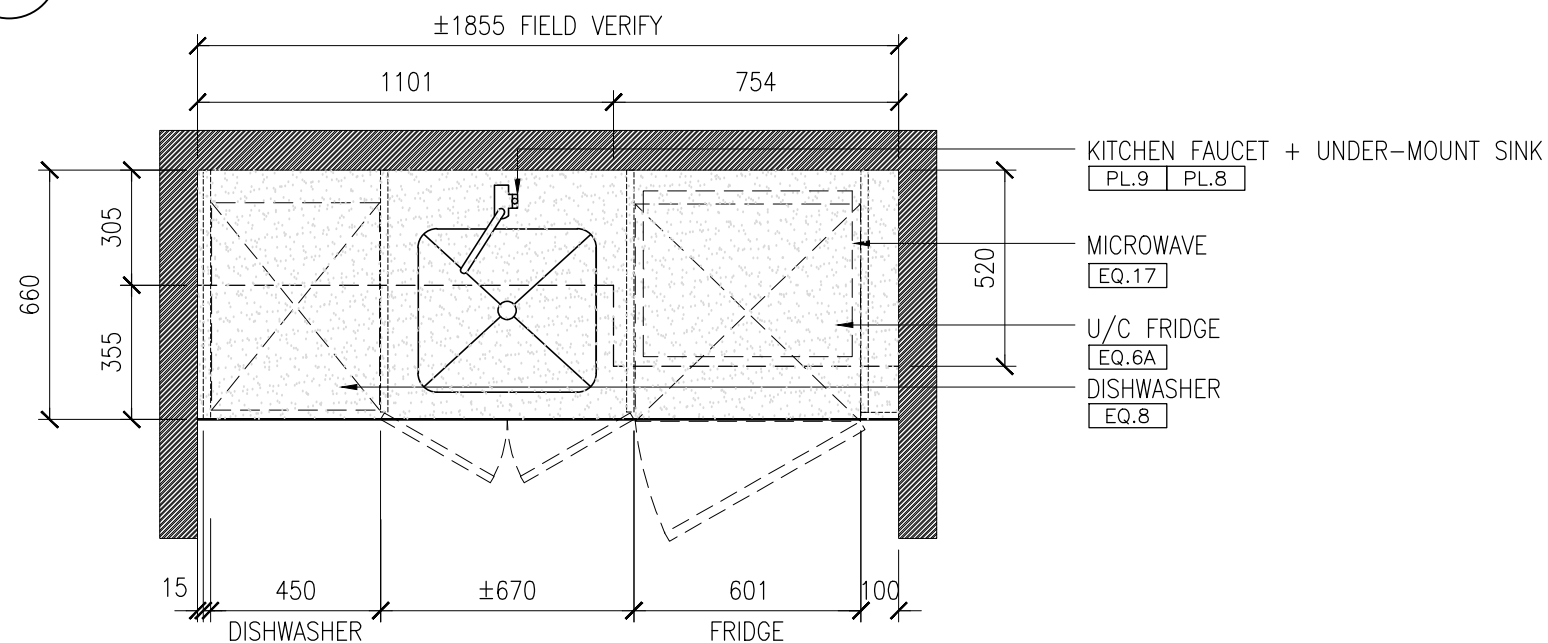


2 ELEVATION - STAFF KITCHENETTE RM.114  
D1.08 SCALE 1:20



1 PLAN - STAFF KITCHENETTE RM.114  
D1.08 SCALE 1:20

Quantity	1
<b>Notes:</b>	
1.	FABRICATOR TO CONFIRM QUANTITIES OF FIXTURES WITH CLIENT PRIOR TO FABRICATION
2.	PROVIDE SHOP DRAWINGS FOR DESIGNER'S REVIEW AND APPROVAL PRIOR TO FABRICATION
3.	FABRICATOR TO ENSURE STRUCTURAL STABILITY OF UNIT
4.	FABRICATOR TO EXECUTE DESIGN IN THE MOST COST EFFECTIVE MANNER

- Notes:**
- CONTRACTOR AND ALL SUB-TRADES SHALL VERIFY ALL SITE DIMENSIONS. ALL DRAWINGS, DETAILS AND SPECIFICATIONS AND REPORT ANY DISCREPANCIES TO THE INTERIOR DESIGNERS IN WRITING FOR APPROVAL BEFORE PROCEEDING WITH THE WORK.
  - CONTRACTOR AND SUB-CONTRACTORS, BEFORE PROCEEDING WITH WORK, MUST SUBMIT ALL NECESSARY SAMPLES FOR APPROVAL OF QUALITY AND FINISH TO THE INTERIOR DESIGNER.
  - CONTRACTOR MUST COMPLY WITH THE CONTRACT DOCUMENTS, PERFORMANCE REQUIREMENTS, APPLICABLE CODES AND REGULATIONS.
  - ALL DRAWINGS AND WRITTEN MATERIAL HEREIN CONSTITUTES THE ORIGINAL AND UNPUBLISHED WORK OF " II BY IV DESIGN ASSOCIATES INC. ", AND MAY NOT BE DUPLICATED, USED OR DISCLOSED WITHOUT PRIOR WRITTEN CONSENT OF " II BY IV DESIGN ASSOCIATES INC. "
  - DRAWINGS NOT TO BE SCALED

**Issue:**

06 ISSUED FOR CLIENT REVIEW	16.01.15
07 ISSUED FOR TENDER	16.03.18
10 ISSUED FOR CONSTRUCTION	17.06.19
17 SITE INSTRUCTION #07	18.05.31
-	-
-	-
-	-
-	-
-	-
-	-
-	-
-	-

Hines TRIDEL®

AQUAVISTA  
AT BAYSIDE TORONTO

255 QUEEN'S QUAY EAST, TORONTO ONTARIO

77 MOWAT AVENUE, SUITE 109  
TORONTO, ONTARIO M6K 3E3 - CANADA  
T + 1 416 531 2224  
12 DESBROSSES STREET  
NEW YORK, NEW YORK 10013 - USA  
T + 1 212 392 4952



Drawing Title:  
**L1 WEST LOBBY  
STAFF KITCHENETTE  
DETAILS**

Our Project Number:  
14008  
Designed By: DM, KR, VW  
Detailed By: DM, KR, VW, LN  
Drawing Number:

**D1.08**