

EQUIPMENT & CONNECT LIST

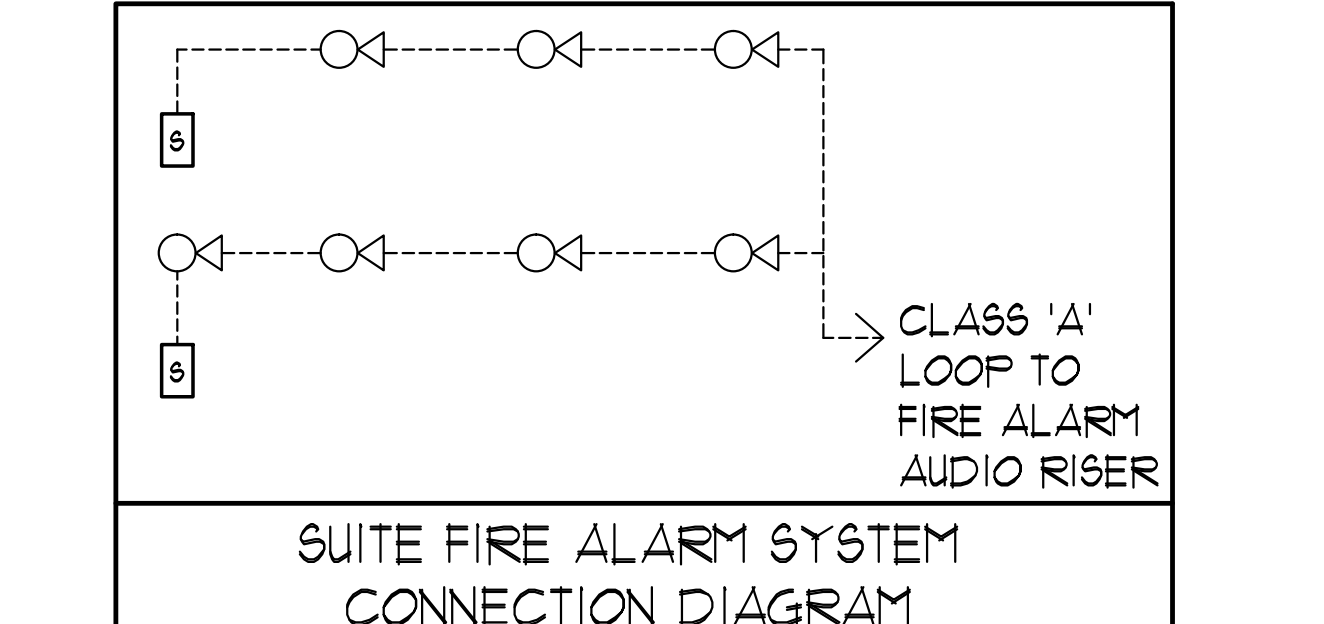
- ① B-1 4 2
515V, 3φ, 3HP
CONN. TO "REDP".
- ② B-3,
515V, 3φ, 15HP
CONN. TO "REDP".
- ③ B-3 IGNITION
220V, 1φ, 11A
CONN. TO "ERI-6".
- ④ HUP-142,
515V, 3φ, 15HP
CONN. TO "REDP".
- ⑤ CUP-142,
515V, 3φ, 30HP
CONN. TO "RDP".
- ⑥ CT-1
515V, 3φ, 10HP
CONN. TO "RDP".
- ⑦ EF-22 4 MD
120V, 1φ, 1/2HP
CONN. TO "R-6".
- ⑧ SCU
200V, 1φ, 9MCA
CONN. TO "R-40,42".
- ⑨ DHURP-2
515V, 3φ, 1/2HP
CONN. TO "REDP".
- ⑩ UH-A
120V, 1φ, 1/2HP
CONN. TO "R-4".
- ⑪ EF-26
120V, 1φ, 1/6HP
CONN. TO "R-31".
- ⑫ EF-27
120V, 1φ, 1/2HP
CONN. TO "R-33".
- ⑬ CHEMICAL PUMP
120V, 1φ, HP
CONN. TO "R-1".
- ⑭ HB-2
240V, 1φ, 3HP
CONN. TO "ERI-12,14".
- ⑮ SAC
200V, 1φ, HP
CONN. TO "R-36,38".
- ⑯ B-1 IGNITION
240V, 1φ, 16A
CONN. TO "ERI-11,13".
- ⑰ B-2 IGNITION
240V, 1φ, 16A
CONN. TO "ERI-12,14".

GENERAL AREA CIRCUITING - TABLE #1

LIGHTING FIXTURE LOCATION	E-1	E-2	E-3
F2 TO F1 - EXIT SIGNS	E-1		
G/F TO MPH - EXIT SIGNS	E-3		
MPH - EXIT SIGNS	ER-1		
STAIR 'A' (F2 TO G/F)	E-5		
STAIR 'B' (F2 TO G/F)	E-1		
STAIR 'J' (G/F TO 4/F)	E-9		
STAIR 'J' (B/F TO 3/F)	E-11		
STAIR 'G' (G/F TO 14/F)	E-13		
STAIR 'F' (G/F TO 14/F)	E-15		
STAIR 'K' (14/F TO MPH) 4 MPH (G/F)	ER-3ER-5R-11R-15		
E-2E-4E-6E-8E-10E-12E-14E-16 (G/F)	B1-2B1-4B1-6B1-8B1-10B1-12B1-14B1-16		
B1-18B1-20B1-22B1-24B1-26B1-28B1-30			
CORRIDOR (2/F TO 3/F)	E-24		
CORRIDOR (4/F TO 5/F)	E-26		
CORRIDOR (6/F TO 7/F)	E-28		
CORRIDOR (8/F TO 11/F)	E-30		
CORRIDOR (12/F TO 14/F)	E-32		
CORRIDOR 4 LOCKER (2/F)	B-46		
CORRIDOR (3/F)	B-48		
CORRIDOR (4/F TO 5/F)	B-50		
CORRIDOR (5/F TO 6/F)	B-52		
CORRIDOR (7/F TO 8/F)	B-54		
CORRIDOR (9/F TO 11/F)	B-56		
CORRIDOR (12/F TO 14/F)	B-58		
ELEVATOR CAB	ER-6, ER-8ER-10		
EXTERIOR SITE	E1-1E1-3E1-5E1-7E1-9E1-11E1-13		
RECEPTACLE LOCATION	B-2	B-4	B-6
ELEC. S. CLOSET (G/F TO 3/F)	B-2		
ELEC. N. CLOSET (2/F TO 3/F)	B-4		
ELEC. N. CLOSET (10/F TO 14/F)	B-6		
ELEC. N. CLOSET (22/F TO 32/F)	B-8		
ELEV. LOBBY (F2 TO 8/F)	B-10		
CORRIDOR (2/F TO 8/F)	B-12B-14B-16B-18B-20B-22B-24		
CORRIDOR (2/F TO 5/F)	B-26B-28		
ELEV. LOBBY (9 TO 14/F)	B-30		
CORRIDOR (9/F TO 14/F)	B-32B-34B-36B-38		
STAIR A (G/F) 4 3'x9'6" F3/F	B-40		
STAIR F (14/F) 11'x8'5" F2/F	B-42		
STAIR H (14/F) 11'x8'5" F2/F	B-44		
STAIR 'K' 4 MPH	R-2		

KEY NOTES - INSUITE:

- ① DESIGNATED "LAUNDRY RECEPTACLE" AS DEFINED BY ESA CODE 26-110(e)(1), 26-120(b) AND ESA BULLETIN 26-26-0 (WITHIN 3M RADIUS OF LAUNDRY CLOSET). RECEPTACLE SHALL BE CONNECTED TO A DEDICATED CIRCUIT. SEE DETAIL #4 ON DUG. E-35.
- ② SUITE DOOR CONTACTS AND GLASS BREAK DETECTOR WILL COMPLETE WITH INTRUSION ALARM SYSTEM THAT CONTACT TO THE CONCERGE STATION (TYPICAL)
- ③ FOR FAN COIL UNITS (FCU) ELECTRICAL CONTRACTOR TO SUPPLY AND INSTALL CONDUIT AND JUNCTION BOX FOR REMOTE THERMOSTAT. MECHANICAL CONTRACTOR SHALL SUPPLY WIRE, TERMINATE WIRING AND MOUNT THERMOSTAT.
- ④ INSTALL SIDE-MOUNTED RECEPTACLE ON KITCHEN ISLAND CABINET.
- ⑤ SWITCHES, RECEPTABLES, ETC. TO BE INSTALLED AS TO NOT INTERFERE WITH THE OPENING AND OPERATION OF SLIDING DOOR.



MOUNTING HEIGHT SCHEDULE (TO TOP OF BOX)

OUTLET	SUITES	PUBLIC AREA
RECEPTACLE	400 MM AFF.	400 MM AFF.
TV OUTLET	400 MM AFF.	400 MM AFF.
TELEPHONE OUTLET	400 MM AFF.	400 MM AFF.
MULTI-PORT OUTLET	400 MM AFF.	400 MM AFF.
SWITCH	1200 MM AFF.	1200 MM AFF.
SECURITY PANEL	1200 MM AFF.	
SILENCE SWITCHES	1200 MM AFF.	
THERMOSTAT	1200 MM AFF.	1200 MM AFF.
INTERCOM		1200 MM AFF.
V.C. HANDSET		1200 MM AFF.
FULL STATION		1200 MM AFF.

GENERAL NOTES - RESIDENTIAL:

- 1. ELECTRICAL DRAWINGS SHALL BE READ IN CONJUNCTION WITH MECHANICAL, STRUCTURAL, ARCHITECTURAL AND LANDSCAPE DRAWINGS.
- 2. CONTRACTOR SHALL RUN CABLES WITHIN CEILING SLAB OR ENCLOSURES TO RETAIN 2 HOUR FIRE PROTECTION RATING FOR ALL LOADS THAT CONNECT TO EMERGENCY POWER.
- 3. FIRE ALARM RISERS SHALL BE RUN IN 2 HOUR FIRE RATED ELECTRICAL CLOSET. REFER TO DUG. E-32 FOR RISER DIAGRAM AND DETAILS.
- 4. STAIRWAY WALL MOUNTED EMERGENCY LIGHT FIXTURES SHALL BE MOUNTED @ 1' AFF. MIN.
- 5. FOR STORAGE ROOM VENTILATION SYSTEM, DIV. 16 TO PROVIDE CONDUIT, WIRING AND SWITCH (S) TO START/STOP FAN AND DAMPER. FAN AND 110V ACTUATOR TO BE SUPPLIED AND INSTALLED BY DIV. 15.
- 6. FOR UTILITY ROOM VENTILATION SYSTEM, DIV. 16 TO PROVIDE LINE VOLTAGE THERMOSTAT (T) TO DIV. 16. DIV. 16 TO PROVIDE CONDUIT AND WIRING TO START/STOP FAN AND DAMPER VIA THERMOSTAT. FAN AND 110V ACTUATOR TO BE SUPPLIED AND INSTALLED BY DIV. 15.
- 7. FOR UNIT HEATER, DIV. 15 TO PROVIDE LINE VOLTAGE THERMOSTAT (T), DIV. 16, TO PROVIDE CONDUIT AND WIRING TO START/STOP UNIT HEATER.
- 8. REFER TO SPRINKLER DRAWINGS FOR FIRE PROTECTION DEVICE TO BE CONNECTED TO THE FIRE ALARM SYSTEM. THE DEVICE AND EQUIPMENT SHALL FORM AN INTEGRAL PART OF THE ELECTRICAL CONTRACT.
- 9. DIV. 16 SHALL SUPPLY AND INSTALL CONDUITS, WIRES AND INTERLOCK FANS TO MOTORIZED DAMPERS AND TO THE THERMOSTAT.
- 10. DIV. 16 SHALL SUPPLY AND INSTALL CONDUITS, WIRES AND INTERLOCK FANS TO MOTORIZED DAMPERS AND TO THE THERMOSTAT.
- 11. REFER TO SUITE PANEL SCHEDULES FOR INSUITE CIRCUIT ARRANGEMENT.
- 12. ALL DWELLING UNIT RECEPTABLES EXCEPT IN KITCHEN SHALL BE TAMPER PROOF.
- 13. PROVIDE GROUND FAULT PROTECTION FOR SUITE KITCHEN, AMENITY KITCHEN AND WASHROOM RECEPTABLES WITHIN 1500mm OF SINK.
- 14. PROVIDE TELECOMMUNICATION BOX (CUB) BUILT-IN RECEPTACLE FOR TELECOMMUNICATION. TELECOMMUNICATION BOX SHALL BE COMPLIANT WITH THE TELECOM SERVICE PROVIDER SPECIFICATION. REFER TO DETAIL #3 ON DUG. E-35 FOR TELECOM JUNCTION BOX INSTALLATION.
- 15. DRYER SENSING TO START DRYER VENTILATION FAN AUTOMATICALLY WHEN DRYER IS RUNNING.
- 16. ALL SMOKE ALARMS WITHIN THE SUITE SHALL BE HARDWIRED TOGETHER AND TO A 15A, 1P CIRCUIT BREAKER AHEAD OF OTHER LOADS.
- 17. ALL OUTDOOR RECEPTABLES SHALL BE WEATHERPROOF (LEGRADE CAT* 332TRUR-GRY FOR NON-GFCI AND CAT* 1595TRUR-GRY FOR GFCI) AND SHALL BE EQUIPPED WITH A WHILE IN USE CAST ALUMINUM COVERPLATE (LEGRADE CAT* WJUCAST) COVERPLATE.
- 18. REFER TO SPRINKLER DRAWINGS FOR FIRE PROTECTION DEVICE TO BE CONNECTED TO THE FIRE ALARM SYSTEM. THE DEVICE AND EQUIPMENT SHALL FORM AN INTEGRAL PART OF THE ELECTRICAL CONTRACT.

KEY NOTES - RESIDENTIAL - COMMON AREA:

- ① FOR CIRCUITING, REFER TO TABLE #1.
- ② PROVIDE ALARM SPEAKER, SMOKE DETECTOR AND RECEPTACLE AT EVERY THIRD FLOOR STAIR WELLS STARTING FROM TOP FLOOR, AS PER TO DUG. E-32 FOR FIRE ALARM RISER DIAGRAM.
- ③ PROVIDE TELECOMMUNICATION BACKBOARD (CUB) 15V, 1φ, 15A RECEPTACLE AS PER COMMUNICATION RISER DIAGRAM ON DUG. E-31.
- ④ CONTRACTOR SHALL REFER TO ELECTRICAL SINGLE LINE DIAGRAM ON DUG. E-30 AND SDP RISER ON DUG. E-31 FOR SDP LOCATIONS AND DISTRIBUTION.
- ⑤ PROVIDE CONDUIT AS PER RISER DETAIL #9 ON DUG. E-35 FOR TRISORTER CONTROL SYSTEM.
- ⑥ REFER TO SUPERVISED VALVE AND FLOW SWITCH SCHEDULE ON DUG. E-33 FOR DETAILS ON TYPICAL FLOORS.
- ⑦ EMERGENCY LIGHT FIXTURES IN LOCKERS, STORAGE, GARBAGE, UTILITY AND SERVICE ROOMS SHALL BE CONNECTED TO BOTH NORMAL AND EMERGENCY POWER AS PER DETAIL #71 OF DUG. E-35.
- ⑧ ALLOCATE 2, 120V, 15A, CIRCUITS FROM PANEL "LP-R" FOR MECHANICAL CONTROL. CONTRACTOR COORDINATE WITH DIV. 15 FOR EXACT LOCATION.
- ⑨ ELECTRICAL CONTRACTOR SHALL PROVIDE THE FOLLOWING FOR BOILER:
 - 1) 515V, 3φ, 15A FEEDER FOR BOILER CIRCULATING PUMP.
 - 2) 115V, 1φ, 15A DEDICATED CIRCUIT FOR BOILER IGNITER.
 - 3) BOILER SHUTDOWN PUSH-BUTTON AT EXIT OF MECHANICAL ROOM.
- ⑩ PROVIDE CONDUIT AS PER COMM/SECURITY CONDUIT CONNECTION DIAGRAM ON DUG. E-31.
- ⑪ ALL EXTERIOR LIGHTS SHALL BE CONTROLLED BY A TIMER/CONTACTOR LOCATED NEAR "LP-R"; CONNECT LIGHTS TO CIRCUIT AS SHOWN.
- ⑫ PROVIDE RECEPTABLES FOR MAINTENANCE OF MECHANICAL EQUIPMENT. MOUNTING HEIGHT IS 1200MM AFF. AS PER ESA CODE.
- ⑬ 3/4"x 48"x 96" PLYWOOD BACKBOARD FOR SECURITY SYSTEM
- ⑭ 3/4"x 48"x 96" PLYWOOD BACKBOARD FOR T.V. SYSTEM
- ⑮ 3/4"x 48"x 96" PLYWOOD BACKBOARD FOR TEL. SYSTEM
- ⑯ TRANSFORMERS TX-R 4 TX-R1 SHALL BE CEILING MOUNTED.
- ⑰ PROVIDE [Symbol] FOR ALL SUITES ON THIS FLOOR.

ELECTRICAL LEGEND

- LIGHTING**
- [Symbol] FLUORESCENT LIGHT FIXTURE, TYPE AS INDICATED
 - [Symbol] LIGHT OR LIGHT CONNECTED TO EMERGENCY POWER
 - [Symbol] CEILING MOUNTED WALL MOUNTED LIGHT FIXTURE, INCORPORATED LETTER DENOTES TYPE
 - [Symbol] POLE MOUNTED LIGHT FIXTURE, INCORPORATED LETTER DENOTES TYPE
 - [Symbol] CARPETED CEILING LIGHT OUTLET
 - [Symbol] TRACK LIGHT
 - [Symbol] BRIP LIGHT
 - [Symbol] UNDER CABINET FLUORESCENT LIGHT FIXTURE
 - [Symbol] CEILING MOUNTED WALL MOUNTED EXIT SIGN
 - [Symbol] SINGLE/DOUBLE EMERGENCY LIGHT REFLECTOR HEAD
 - [Symbol] EMERGENCY BATTERY PACK
 - [Symbol] OCCUPANCY SENSOR POWER PACKS
 - [Symbol] SINGLE/DOUBLE POLE SINGLE/DOUBLE THROW TOGGLE SWITCH RESPECTIVELY.
 - [Symbol] 1 1/4" (3/4" X 1/4" DENOTES 3-WAY/4-WAY FLOOR LIGHT, DIMMER SWITCHED LIGHT RESPECTIVELY)
 - [Symbol] MASTER LIGHTING SHUT-OFF SWITCH
 - [Symbol] SENSOR WALL SWITCH PIR, SELF POWERED
 - [Symbol] OCCUPANCY SENSOR LIGHTING MOUNTED
- POWER**
- [Symbol] REGULAR DUPLEX RECEPTACLE
 - [Symbol] DUPLEX RECEPTACLE, GROUND FAULT INTERRUPT
 - [Symbol] 3-POLE 1-1/2" DUPLEX RECEPTACLE
 - [Symbol] SINGLE RECEPTACLE TYPE AND CONFIGURATION AS SPECIFIED FOR DRIVER
 - [Symbol] CONNECTION FOR OVERCOCOOKTOP
 - [Symbol] 1/4" X 1/4" DENOTES 3-WAY/4-WAY FLOOR LIGHT, DIMMER SWITCHED LIGHT RESPECTIVELY
 - [Symbol] CEILING MOUNTED DEVICES
 - [Symbol] FLOOR MOUNTED DEVICES
 - [Symbol] DISCONNECT SWITCH NON-FUSED
 - [Symbol] DISCONNECT SWITCH FUSED
 - [Symbol] OPERATION STARTER
 - [Symbol] FRACTIONAL MOTOR/AN DIRECT CONNECTION
 - [Symbol] DIRECT CONNECTION SINGLE PHASE
 - [Symbol] DIRECT CONNECTION THREE PHASE
 - [Symbol] THERMOSTAT
 - [Symbol] DRYER SENSOR
 - [Symbol] HEAT TRACE
 - [Symbol] ELECTRICAL HEATER
 - [Symbol] ELECTRICAL PANEL / SECURITY PANEL
- TELECOMMUNICATION**
- [Symbol] TVCABLE OUTLET
 - [Symbol] TELEPHONE OUTLET
 - [Symbol] INTERCOM/VIDEO CABLE (MULTI-PORT OUTLET)
 - [Symbol] DATA OUTLET
 - [Symbol] DATA/TELEPHONE OUTLET
 - [Symbol] N SUITE TELECOM BOX (CUB) RECEPTACLE
 - [Symbol] WPI LOCATION
 - [Symbol] VIDEO INTERCOM
 - [Symbol] RADIO RECEIVER
- SECURITY**
- [Symbol] INTERCOM / ENTERPHONE
 - [Symbol] INTERCOM WITH CAMERA
 - [Symbol] PANIC BUTTON / PANIC INTERCOM STATION
 - [Symbol] CARD READER
 - [Symbol] AUTOMATIC RELEASE CARD ACCESS/RADIO RECEIVER
 - [Symbol] ELECTRIC STRIKE
 - [Symbol] MAGLOCK
 - [Symbol] DOOR CONTACT / WINDOW CONTACT
 - [Symbol] GLASS BREAK DETECTOR
 - [Symbol] AUTOMATIC DOOR OPERATOR
 - [Symbol] MOTION DETECTOR
 - [Symbol] PUSH BUTTON
 - [Symbol] SECURITY CAMERA
- LIFE SAFETY**
- [Symbol] FIRE ALARM SMOKE DETECTOR
 - [Symbol] SMOKE ALARM
 - [Symbol] FIRE ALARM DUCT TYPE SMOKE DETECTOR
 - [Symbol] FIRE ALARM HEAT DETECTOR
 - [Symbol] FIXED TEMP. 68 °C DEGREE HEAT DETECTOR
 - [Symbol] MOISTURE PROOF HEAT DETECTOR
 - [Symbol] CO ALARM
 - [Symbol] CO ALARM
 - [Symbol] CO ALARM
 - [Symbol] CO SENSOR / NO SENSOR
 - [Symbol] FIRE ALARM MANUAL PULL STATION
 - [Symbol] FIREFIGHTER'S HANDSET
 - [Symbol] FIRE ALARM SPEAKER/SNOBE WALL MTD.
 - [Symbol] FIRE ALARM SPEAKER/WALL MTD.
 - [Symbol] FIRE ALARM SPEAKER/SNOBE CEILING MTD.
 - [Symbol] FIRE ALARM SPEAKER CEILING MTD.
 - [Symbol] FIRE ALARM ANNUNCIATOR PANEL
 - [Symbol] FIRE ALARM CONTROL PANEL

REVISIONS

NO.	DATE	DESCRIPTION
01	2015-02-13	ISSUED FOR PERMIT
02	2015-02-13	ISSUED FOR TENDER
03	2015-02-13	ISSUED FOR BIDDER
04	2015-02-13	ISSUED FOR PERMIT
05	2015-02-13	ISSUED FOR PERMIT

CONTRACTOR MUST CHECK AND VERIFY ALL DIMENSIONS AND CONDITIONS ON THE JOB AND REPORT DISCREPANCIES TO THE ENGINEER BEFORE PROCEEDING WITH THE WORK. THIS DRAWING IS THE PROPERTY OF THE ENGINEER AND WILL BE RETURNED UPON COMPLETION OF THE WORK. DRAWINGS ARE NOT TO BE SCALED.

NOVA TRENDS

175 West Beaver Creek Road, Unit 31
Richmond Hill, Ontario L4B 3M1
Tel: 905-882-5445
Fax: 905-882-5441
Email: cad@novatrendeng.com

DRIVING TITLE
14/F FLOOR PLAN
ELECTRICAL LAYOUT

PROJECT FILE
ALEXANDRA PARK

38 CAMERON STREET, BLOCK II
TORONTO ONTARIO

DATE: FEB, 13
DRAWN BY: S.O.
CHECKED BY: S.T.
SCALE: 1:50
PROJECT NUMBER: 1313
DRAWING NUMBER: E-28