

GENERAL AREA CIRCUITING - TABLE #1

LIGHTING FIXTURE LOCATION	CGT.#
P2 TO P1 - EXIT SIGNS	E-1
G/F TO MPH - EXIT SIGNS	E-3
MPH - EXIT SIGNS	ER-1
STAIR 'A' (P2 TO G/F)	E-5
STAIR 'B' (P2 TO G/F)	E-7
STAIR 'J' (G/F TO 4/F)	E-9
STAIR 'U' (G/F TO 3/F)	E-11
STAIR 'G' (G/F TO 14/F)	E-13
STAIR 'F' (G/F TO 14/F)	E-15
STAIR 'K' (14/F TO MPH) 4 MPH (G/F)	ER-3ER-5R-11R-19
(G/F)	E-2E-4E-6E-16E-18E-10E-12E-14E-16
(G/F)	B1-2B1-4B1-6B1-8B1-10B1-12B1-14B1-16B1-18B1-20B1-22B1-24B1-26B1-28B1-30B1
CORRIDOR (2/F 4 3/F)	E-24
CORRIDOR (4/F 4 5/F)	E-26
CORRIDOR (6/F 4 7/F)	E-28
CORRIDOR (8/F TO 11/F)	E-30
CORRIDOR (12/F TO 14/F)	E-32
CORRIDOR 4 LOCKER (2/F)	B-46
CORRIDOR (3/F)	B-48
CORRIDOR (4/F)	B-50
CORRIDOR (5/F 4 6/F)	B-52
CORRIDOR (7/F 4 8/F)	B-54
CORRIDOR (9/F TO 11/F)	B-56
CORRIDOR (12/F TO 14/F)	B-58
ELEVATOR CAB	ER-6, ER-8ER-10
EXTERIOR SITE	E1-E11-3E1-5E1-7E1-4E1-6

RECEPTACLE LOCATION	CGT.#
ELEC. S. CLOSET (G/F TO 3/F)	B-2
ELEC. N. CLOSET (2/F TO 3/F)	B-4
ELEC. N. CLOSET (10/F TO 14/F)	B-6
ELEC. N. CLOSET (22/F TO 32/F)	B-8
ELEV. LOBBY (P2 TO 8/F)	B-10
CORRIDOR (2/F TO 8/F)	B-12B-14B-16B-18B-20B-22B-24
CORRIDOR (2/F TO 5/F)	B-26B-28
ELEV. LOBBY (9 TO 14/F)	B-30
CORRIDOR (9/F TO 14/F)	B-32B-34B-36B-38
STAIR A (G/F) 4 (J/9/F/6/F/3/F)	B-40
STAIR F (14/F)/F/8/F/5/F/2/F)	B-42
STAIR H (14/F)/F/8/F/5/F/2/F)	B-44
STAIR 'K' 4 MPH	R-2

- GENERAL NOTES - RESIDENTIAL:**
- ELECTRICAL DRAWINGS SHALL BE READ IN CONJUNCTION WITH MECHANICAL, STRUCTURAL, ARCHITECTURAL AND LANDSCAPE DRAWINGS.
 - CONTRACTOR SHALL RUN CABLES WITHIN CEILING SLAB OR ENCLOSURES TO RETAIN 2 HOUR FIRE PROTECTION RATING FOR ALL LOADS THAT CONNECT TO EMERGENCY POWER.
 - FIRE ALARM RISERS SHALL BE RUN IN 2 HOUR FIRE RATED ELECTRICAL CLOSET. REFER TO DWG. E-32 FOR RISER DIAGRAM AND DETAILS.
 - STAIRWAY WALL MOUNTED EMERGENCY LIGHT FIXTURES SHALL BE MOUNTED @ 1" AFF. MIN.
 - FOR STORAGE ROOM VENTILATION SYSTEM, DIV. 16 TO PROVIDE CONDUIT, WIRING AND SWITCH (S) TO START/STOP FAN AND DAMPER. FAN AND 110V ACTUATOR TO BE SUPPLIED AND INSTALLED BY DIV. 15.
 - FOR UTILITY ROOM VENTILATION SYSTEM, DIV. 15 WILL PROVIDE LINE VOLTAGE THERMOSTAT (T) TO DIV. 16. DIV. 16 TO PROVIDE CONDUIT AND WIRING TO START/STOP FAN AND DAMPER VIA THERMOSTAT. FAN AND 110V ACTUATOR TO BE SUPPLIED AND INSTALLED BY DIV. 15.
 - FOR UNIT HEATER, DIV. 15 TO PROVIDE LINE VOLTAGE THERMOSTAT (T), DIV. 16 TO PROVIDE CONDUIT AND WIRING TO START/STOP UNIT HEATER.
 - REFER TO SPRINKLER DRAWINGS FOR FIRE PROTECTION DEVICE TO BE CONNECTED TO THE FIRE ALARM SYSTEM. THE DEVICE AND EQUIPMENT SHALL FORM AN INTEGRAL PART OF THE ELECTRICAL CONTRACT.
 - DIV. 16 SHALL SUPPLY AND INSTALL CONDUITS, WIRES AND INTERLOCK FANS TO MOTORIZED DAMPERS AND TO THE THERMOSTAT.
 - DIV. 16 SHALL SUPPLY AND INSTALL CONDUITS, WIRES AND INTERLOCK FANS TO MOTORIZED DAMPERS AND TO THE THERMOSTAT.
 - REFER TO SUITE PANEL SCHEDULES FOR INSUITE CIRCUIT ARRANGEMENT.
 - ALL DWELLING UNIT RECEPTACLES EXCEPT IN KITCHEN SHALL BE TAMPER PROOF.
 - PROVIDE GROUND FAULT PROTECTION FOR SUITE KITCHEN, AMENITY KITCHEN AND WASHROOM RECEPTACLES WITHIN 1500mm OF SINK.
 - PROVIDE TELECOMMUNICATION BOX C/W BUILT-IN RECEPTACLE FOR TELECOMMUNICATION. TELECOMMUNICATION BOX SHALL BE COMPLIANT WITH THE TELECOM SERVICE PROVIDER SPECIFICATION. REFER TO DETAIL #3 ON DWG. E-35 FOR TELECOM JUNCTION BOX INSTALLATION.
 - DRYER SENSOR TO START DRYER VENTILATION FAN AUTOMATICALLY WHEN DRYER IS RUNNING.
 - ALL SMOKE ALARMS WITHIN THE SUITE SHALL BE HARDWIRED TOGETHER AND TO A 15A, 1P CIRCUIT BREAKER AHEAD OF OTHER LOADS.
 - ALL OUTDOOR RECEPTACLES SHALL BE WEATHERPROOF (LEGRADE CAT* 2322TRUR-GRY FOR NON-GFCI AND CAT* 1B95TRUR-GRY FOR GFCI) AND SHALL BE EQUIPPED WITH A WHILE IN USE CAST ALUMINUM COVERPLATE (LEGRADE CAT* WUCAST1) COVERPLATE.

ELECTRICAL LEGEND

LIGHTING

- FLUORESCENT LIGHT FIXTURE, TYPE AS INDICATED
- EMERGENCY LIGHT
- CEILING MOUNTED WALL MOUNTED LIGHT FIXTURE, INCREASED LETTER DENOTES TYPE
- POLE MOUNTED LIGHT FIXTURE, INCREASED LETTER DENOTES TYPE
- CARRIED CEILING LIGHT OUTLET
- TRACK LIGHT
- STRIP LIGHT
- UNDER CABINET FLUORESCENT LIGHT FIXTURE
- CEILING MOUNTED WALL MOUNTED EXIT SIGN
- EMERGENCY LIGHT RECYCLE HEAD
- EMERGENCY BATTERY PACK
- OCCUPANCY SENSOR POWER PACKS
- SINGLE/TWO/THREE POLE SINGLE/TWO/THREE THROW TOGGLE SWITCH RESPECTIVELY
- 3-WAY/4-WAY/5-WAY/6-WAY/7-WAY/8-WAY/9-WAY/10-WAY/11-WAY/12-WAY/13-WAY/14-WAY/15-WAY/16-WAY/17-WAY/18-WAY/19-WAY/20-WAY/21-WAY/22-WAY/23-WAY/24-WAY/25-WAY/26-WAY/27-WAY/28-WAY/29-WAY/30-WAY/31-WAY/32-WAY/33-WAY/34-WAY/35-WAY/36-WAY/37-WAY/38-WAY/39-WAY/40-WAY/41-WAY/42-WAY/43-WAY/44-WAY/45-WAY/46-WAY/47-WAY/48-WAY/49-WAY/50-WAY/51-WAY/52-WAY/53-WAY/54-WAY/55-WAY/56-WAY/57-WAY/58-WAY/59-WAY/60-WAY/61-WAY/62-WAY/63-WAY/64-WAY/65-WAY/66-WAY/67-WAY/68-WAY/69-WAY/70-WAY/71-WAY/72-WAY/73-WAY/74-WAY/75-WAY/76-WAY/77-WAY/78-WAY/79-WAY/80-WAY/81-WAY/82-WAY/83-WAY/84-WAY/85-WAY/86-WAY/87-WAY/88-WAY/89-WAY/90-WAY/91-WAY/92-WAY/93-WAY/94-WAY/95-WAY/96-WAY/97-WAY/98-WAY/99-WAY/100-WAY
- SENSOR WALL SWITCH, SELF POWERED
- OCCUPANCY SENSOR, CEILING MOUNTED

POWER

- REGULAR DUPLEX RECEPTACLE
- DUPLEX RECEPTACLE, GROUND FAULT INTERRUPT
- 3-WAY/4-WAY/5-WAY/6-WAY/7-WAY/8-WAY/9-WAY/10-WAY/11-WAY/12-WAY/13-WAY/14-WAY/15-WAY/16-WAY/17-WAY/18-WAY/19-WAY/20-WAY/21-WAY/22-WAY/23-WAY/24-WAY/25-WAY/26-WAY/27-WAY/28-WAY/29-WAY/30-WAY/31-WAY/32-WAY/33-WAY/34-WAY/35-WAY/36-WAY/37-WAY/38-WAY/39-WAY/40-WAY/41-WAY/42-WAY/43-WAY/44-WAY/45-WAY/46-WAY/47-WAY/48-WAY/49-WAY/50-WAY/51-WAY/52-WAY/53-WAY/54-WAY/55-WAY/56-WAY/57-WAY/58-WAY/59-WAY/60-WAY/61-WAY/62-WAY/63-WAY/64-WAY/65-WAY/66-WAY/67-WAY/68-WAY/69-WAY/70-WAY/71-WAY/72-WAY/73-WAY/74-WAY/75-WAY/76-WAY/77-WAY/78-WAY/79-WAY/80-WAY/81-WAY/82-WAY/83-WAY/84-WAY/85-WAY/86-WAY/87-WAY/88-WAY/89-WAY/90-WAY/91-WAY/92-WAY/93-WAY/94-WAY/95-WAY/96-WAY/97-WAY/98-WAY/99-WAY/100-WAY
- DISCONNECT SWITCH, NON-FUSED
- DISCONNECT SWITCH, FUSED
- OPERATION STARTER
- FRACTIONAL MOTOR/FAN DIRECT CONNECTION
- DIRECT CONNECTION, SINGLE PHASE
- DIRECT CONNECTION, THREE PHASE
- THERMOSTAT
- DRYER SENSOR
- HEAT TRACE
- ELECTRIC HEATER
- ELECTRICAL PANEL / SECURITY PANEL

TELECOMMUNICATION

- TELEPHONE OUTLET
- TELEPHONE / CABLE (MULTI-PORT OUTLET)
- DATA OUTLET
- DATA/TELEPHONE OUTLET
- N SITE TELECOM BOX C/W RECEPTACLE
- WIFI LOCATION
- VIDEO INTERCOM
- RADIO RECEIVER

SECURITY

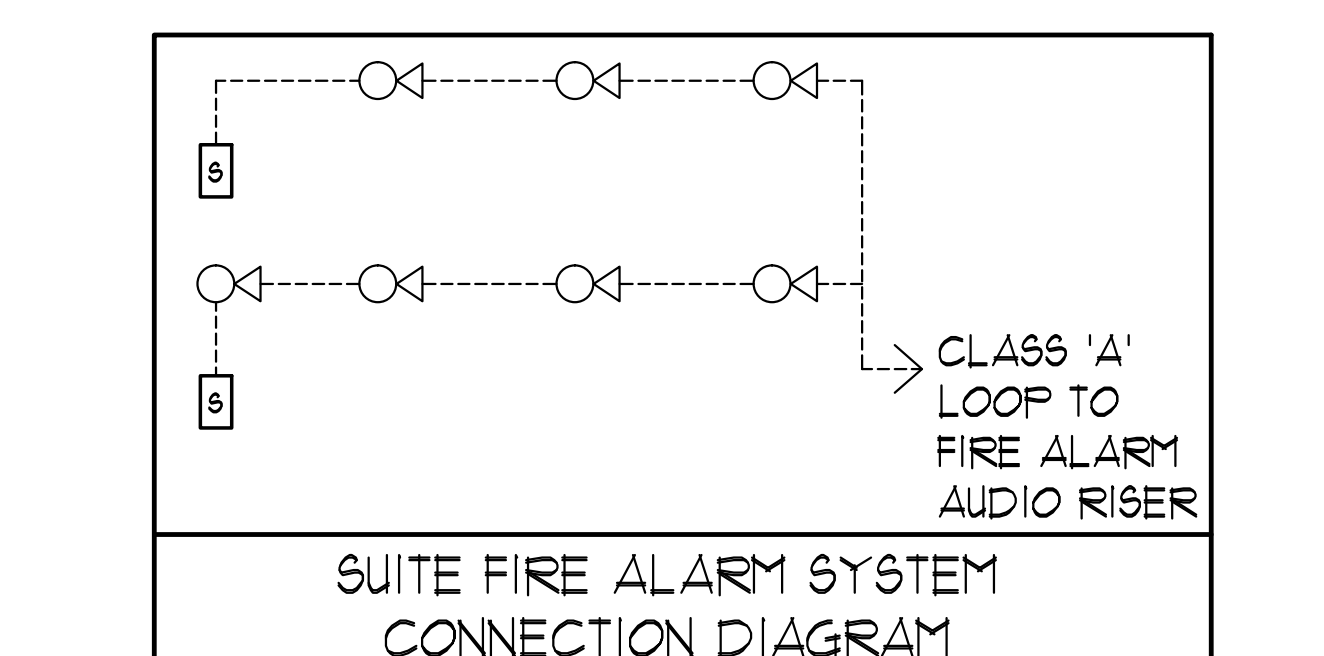
- INTERCOM / ENTERPHONE
- INTERCOM WITH CAMERA
- PANIC BUTTON / PANIC INTERCOM STATION
- CARD READER
- AUTOMATIC RELEASE CARD ACCESS/RADIO RECEIVER
- ELECTRIC STRIKE
- MAGLOCK
- DOOR CONTACT / WINDOW CONTACT
- GLASS BREAK DETECTOR
- AUTOMATIC DOOR OPERATOR
- MOTION DETECTOR
- PUSH BUTTON
- SECURITY CAMERA

LIFE SAFETY

- FIRE ALARM SMOKE DETECTOR
- SMOKE ALARM
- FIRE ALARM DUST TYPE SMOKE DETECTOR
- FIRE ALARM HEAT DETECTOR
- FIXED TEMP. 68 °C DEGREE HEAT DETECTOR
- MOISTURE PROOF HEAT DETECTOR
- CO ALARM
- COMBINATION SMOKE & CO ALARM
- CO SENSOR / NO SENSOR
- FIRE ALARM MANUAL PULL STATION
- FIREFIGHTER'S HANDSET
- FIRE ALARM SPEAKER/STROBE WALL MTD.
- FIRE ALARM SPEAKER/WALL MTD.
- FIRE ALARM SPEAKER/STROBE CEILING MTD.
- FIRE ALARM SPEAKER/CEILING MTD.
- FIRE ALARM ANNUNCIATOR PANEL
- FIRE ALARM CONTROL PANEL

- KEY NOTES - INSUITE:**
- DESIGNATED "LAUNDRY RECEPTACLE" AS DEFINED BY ESA CODE 26-110(e)(11), 26-120(b) AND ESA BULLETIN 26-26-0 (WITHIN 3m RADIUS OF LAUNDRY CLOSET). RECEPTACLE SHALL BE CONNECTED TO A DEDICATED CIRCUIT. SEE DETAIL #4 ON DWG. E-35.
 - SUITE DOOR CONTACTS AND GLASS BREAK DETECTOR WILL COMPLETE WITH INTRUSION ALARM SYSTEM THAT CONTACT TO THE CONCIERGE STATION. (TYPICAL)
 - FOR FAN COIL UNITS (FCU) ELECTRICAL CONTRACTOR TO SUPPLY AND INSTALL CONDUIT AND JUNCTION BOX FOR REMOTE THERMOSTAT. MECHANICAL CONTRACTOR SHALL SUPPLY WIRE, TERMINATE WIRING AND MOUNT THERMOSTAT.
 - INSTALL SIDE-MOUNTED RECEPTACLE ON KITCHEN ISLAND CABINET.
 - SWITCHES, RECEPTACLES, ETC. TO BE INSTALLED AS TO NOT INTERFERE WITH THE OPENING AND OPERATION OF SLIDING DOOR

- KEY NOTES - RESIDENTIAL - COMMON AREA:**
- FOR CIRCUITING, REFER TO TABLE #1.
 - PROVIDE ALARM SPEAKER, SMOKE DETECTOR AND RECEPTACLE AT EVERY THIRD FLOOR STAIR WELL, STARTING FROM TOP FLOOR, AS PER TO DWG. E-32 FOR FIRE ALARM RISER DIAGRAM.
 - PROVIDE TELECOMMUNICATION BACKBOARD C/W 115V, 15A RECEPTACLE AS PER COMMUNICATION RISER DIAGRAM ON DWG. E-31.
 - CONTRACTOR SHALL REFER TO ELECTRICAL SINGLE LINE DIAGRAM ON DWG. E-30 AND SDP RISER ON DWG. E-31 FOR SDP LOCATIONS AND DISTRIBUTION.
 - PROVIDE CONDUIT AS PER RISER DETAIL #3 ON DWG. E-35 FOR RISER CONTROL SYSTEM.
 - REFER TO SUPERVISED VALVE AND FLOW SWITCH SCHEDULE ON DWG. E-33 FOR DETAILS ON TYPICAL FLOORS.
 - EMERGENCY LIGHT FIXTURES IN LOCKERS, STORAGE, GARBAGE, UTILITY AND SERVICE ROOMS SHALL BE CONNECTED TO BOTH NORMAL AND EMERGENCY POWER AS PER DETAIL #21 OF DWG. E-35.



MOUNTING HEIGHT SCHEDULE (TO TOP OF BOX)

OUTLET	SUITES	PUBLIC AREA
RECEPTACLE	400 MM AFF.	400 MM AFF.
TV OUTLET	400 MM AFF.	400 MM AFF.
TELEPHONE OUTLET	400 MM AFF.	400 MM AFF.
MULTI-PORT OUTLET	400 MM AFF.	400 MM AFF.
SWITCH	1200 MM AFF.	1200 MM AFF.
SECURITY PANEL	1200 MM AFF.	
SILENCE SWITCHES	1200 MM AFF.	
THERMOSTAT	1200 MM AFF.	1200 MM AFF.
INTERCOM		1200 MM AFF.
V.C. HANDSET		1200 MM AFF.
FULL STATION		1200 MM AFF.

REVISIONS

NO.	DATE	DESCRIPTION
01	2015-02-13	ISSUED FOR PERIT
02	2015-02-13	ISSUED FOR TENDER
03	2015-02-13	ISSUED FOR PERIT
04	2015-02-13	ISSUED FOR PERIT
05	2015-02-13	ISSUED FOR PERIT
06	2015-02-13	ISSUED FOR PERIT
07	2015-02-13	ISSUED FOR PERIT
08	2015-02-13	ISSUED FOR PERIT
09	2015-02-13	ISSUED FOR PERIT
10	2015-02-13	ISSUED FOR PERIT
11	2015-02-13	ISSUED FOR PERIT
12	2015-02-13	ISSUED FOR PERIT
13	2015-02-13	ISSUED FOR PERIT
14	2015-02-13	ISSUED FOR PERIT
15	2015-02-13	ISSUED FOR PERIT
16	2015-02-13	ISSUED FOR PERIT
17	2015-02-13	ISSUED FOR PERIT
18	2015-02-13	ISSUED FOR PERIT
19	2015-02-13	ISSUED FOR PERIT
20	2015-02-13	ISSUED FOR PERIT
21	2015-02-13	ISSUED FOR PERIT
22	2015-02-13	ISSUED FOR PERIT
23	2015-02-13	ISSUED FOR PERIT
24	2015-02-13	ISSUED FOR PERIT
25	2015-02-13	ISSUED FOR PERIT
26	2015-02-13	ISSUED FOR PERIT
27	2015-02-13	ISSUED FOR PERIT
28	2015-02-13	ISSUED FOR PERIT
29	2015-02-13	ISSUED FOR PERIT
30	2015-02-13	ISSUED FOR PERIT
31	2015-02-13	ISSUED FOR PERIT
32	2015-02-13	ISSUED FOR PERIT
33	2015-02-13	ISSUED FOR PERIT
34	2015-02-13	ISSUED FOR PERIT
35	2015-02-13	ISSUED FOR PERIT
36	2015-02-13	ISSUED FOR PERIT
37	2015-02-13	ISSUED FOR PERIT
38	2015-02-13	ISSUED FOR PERIT
39	2015-02-13	ISSUED FOR PERIT
40	2015-02-13	ISSUED FOR PERIT
41	2015-02-13	ISSUED FOR PERIT
42	2015-02-13	ISSUED FOR PERIT
43	2015-02-13	ISSUED FOR PERIT
44	2015-02-13	ISSUED FOR PERIT
45	2015-02-13	ISSUED FOR PERIT
46	2015-02-13	ISSUED FOR PERIT
47	2015-02-13	ISSUED FOR PERIT
48	2015-02-13	ISSUED FOR PERIT
49	2015-02-13	ISSUED FOR PERIT
50	2015-02-13	ISSUED FOR PERIT
51	2015-02-13	ISSUED FOR PERIT
52	2015-02-13	ISSUED FOR PERIT
53	2015-02-13	ISSUED FOR PERIT
54	2015-02-13	ISSUED FOR PERIT
55	2015-02-13	ISSUED FOR PERIT
56	2015-02-13	ISSUED FOR PERIT
57	2015-02-13	ISSUED FOR PERIT
58	2015-02-13	ISSUED FOR PERIT
59	2015-02-13	ISSUED FOR PERIT
60	2015-02-13	ISSUED FOR PERIT
61	2015-02-13	ISSUED FOR PERIT
62	2015-02-13	ISSUED FOR PERIT
63	2015-02-13	ISSUED FOR PERIT
64	2015-02-13	ISSUED FOR PERIT
65	2015-02-13	ISSUED FOR PERIT
66	2015-02-13	ISSUED FOR PERIT
67	2015-02-13	ISSUED FOR PERIT
68	2015-02-13	ISSUED FOR PERIT
69	2015-02-13	ISSUED FOR PERIT
70	2015-02-13	ISSUED FOR PERIT
71	2015-02-13	ISSUED FOR PERIT
72	2015-02-13	ISSUED FOR PERIT
73	2015-02-13	ISSUED FOR PERIT
74	2015-02-13	ISSUED FOR PERIT
75	2015-02-13	ISSUED FOR PERIT
76	2015-02-13	ISSUED FOR PERIT
77	2015-02-13	ISSUED FOR PERIT
78	2015-02-13	ISSUED FOR PERIT
79	2015-02-13	ISSUED FOR PERIT
80	2015-02-13	ISSUED FOR PERIT
81	2015-02-13	ISSUED FOR PERIT
82	2015-02-13	ISSUED FOR PERIT
83	2015-02-13	ISSUED FOR PERIT
84	2015-02-13	ISSUED FOR PERIT
85	2015-02-13	ISSUED FOR PERIT
86	2015-02-13	ISSUED FOR PERIT
87	2015-02-13	ISSUED FOR PERIT
88	2015-02-13	ISSUED FOR PERIT
89	2015-02-13	ISSUED FOR PERIT
90	2015-02-13	ISSUED FOR PERIT
91	2015-02-13	ISSUED FOR PERIT
92	2015-02-13	ISSUED FOR PERIT
93	2015-02-13	ISSUED FOR PERIT
94	2015-02-13	ISSUED FOR PERIT
95	2015-02-13	ISSUED FOR PERIT
96	2015-02-13	ISSUED FOR PERIT
97	2015-02-13	ISSUED FOR PERIT
98	2015-02-13	ISSUED FOR PERIT
99	2015-02-13	ISSUED FOR PERIT
100	2015-02-13	ISSUED FOR PERIT

NOVA TREND CONSULTANTS

175 West Beaver Creek Road, Unit 31
Richmond Hill, Ontario L4B 3M1
Tel: 905-882-5445
Fax: 905-882-5441
Email: cad@novatrendeng.com

DRAWING TITLE
9/F NORTH FLOOR PLAN
ELECTRICAL LAYOUT

PROJECT FILE
ALEXANDRA PARK

38 CAMERON STREET, BLOCK II
TORONTO ONTARIO

DRAWN BY: S.O. **CHECKED BY:** S.T. **SCALE:** 1:50
DATE: FEB, 13 **PROJECT NUMBER:** 1313 **DRAWING NUMBER:** E-23 OF

Drawing name: \\novatrend\Current\1313 - Alexandra Park\9/F\91313E - 2313.dwg ELD:ang Plot date: Jan 27, 2015 9:15:00am