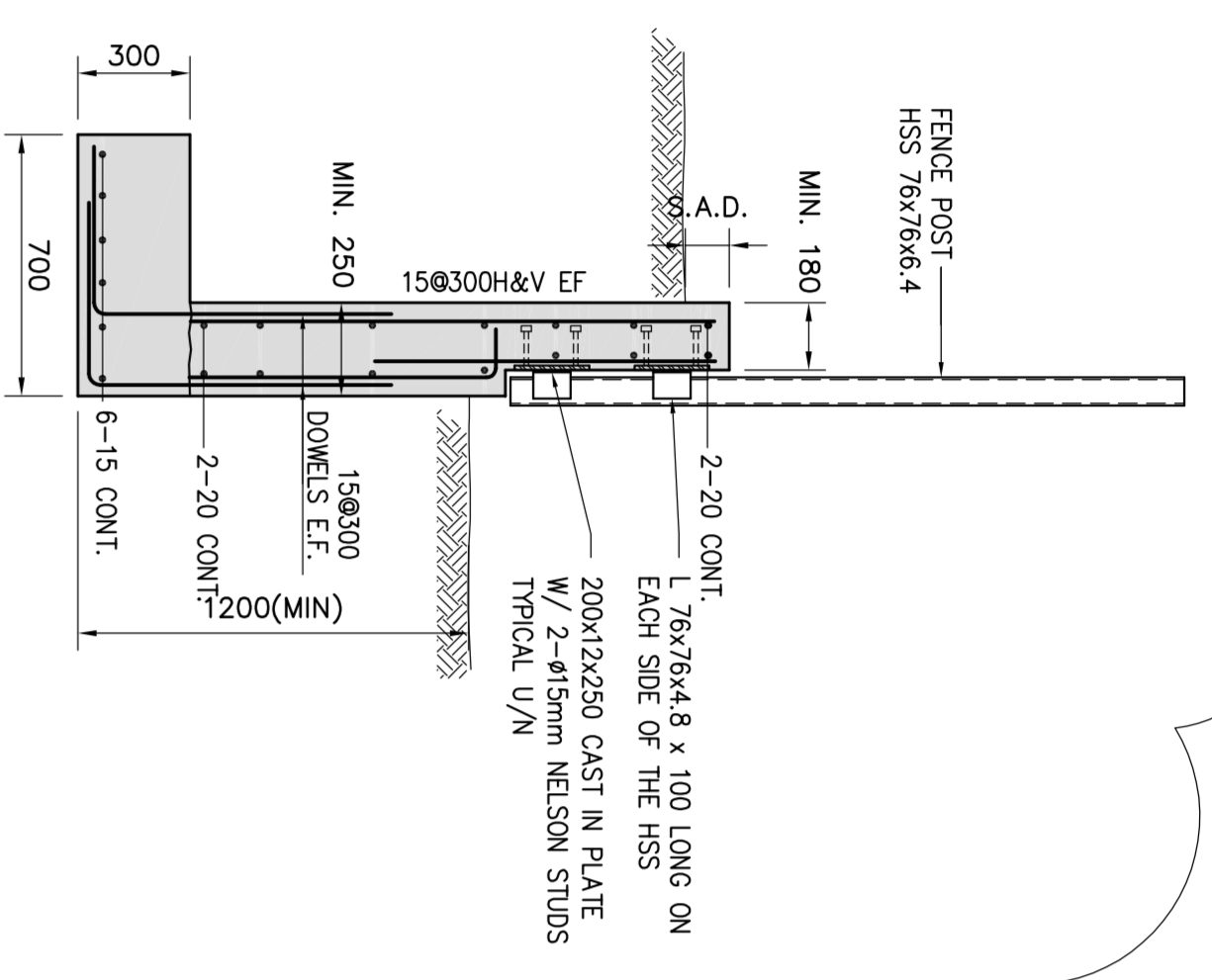


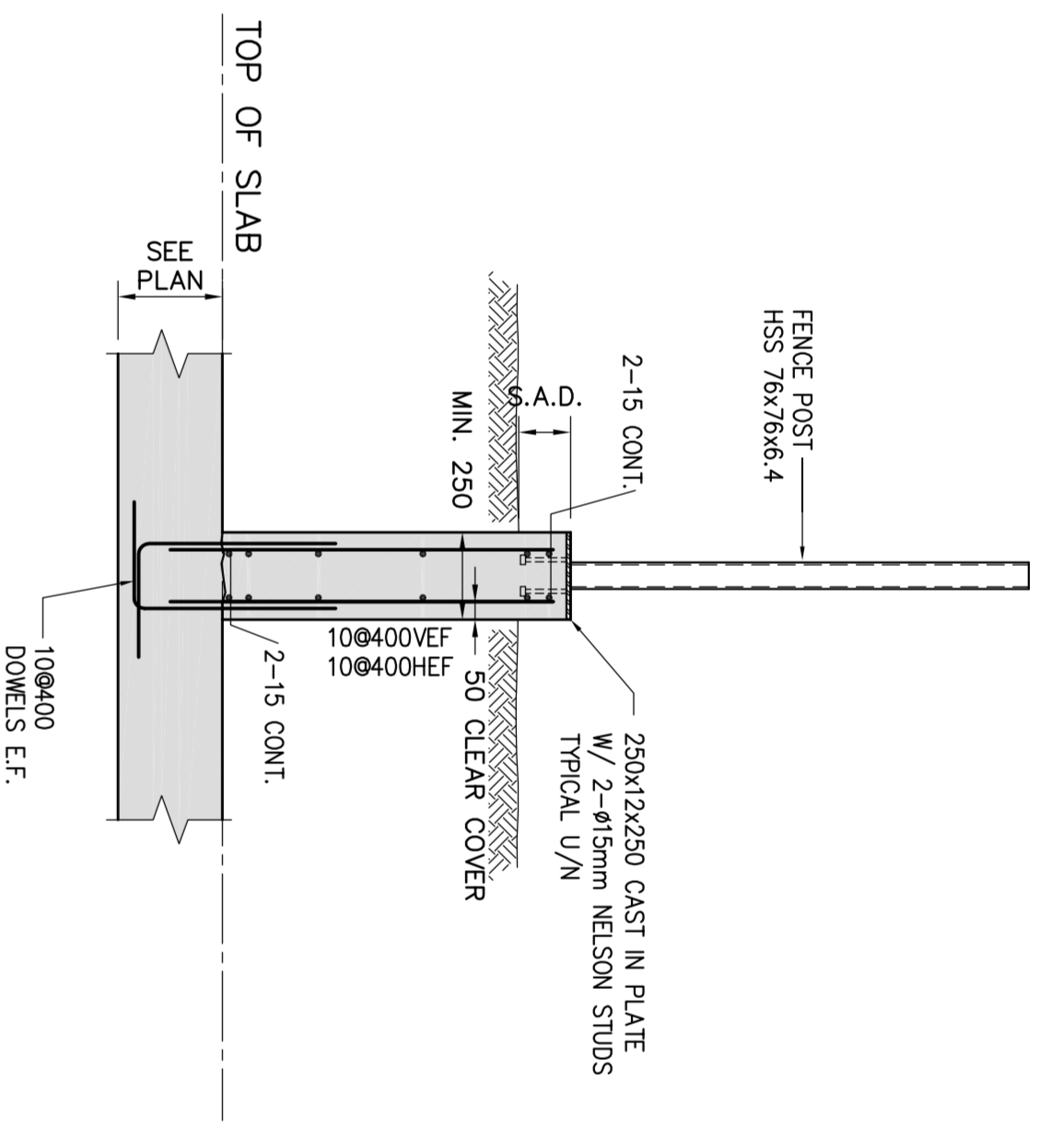
TYPE A



TYPE B

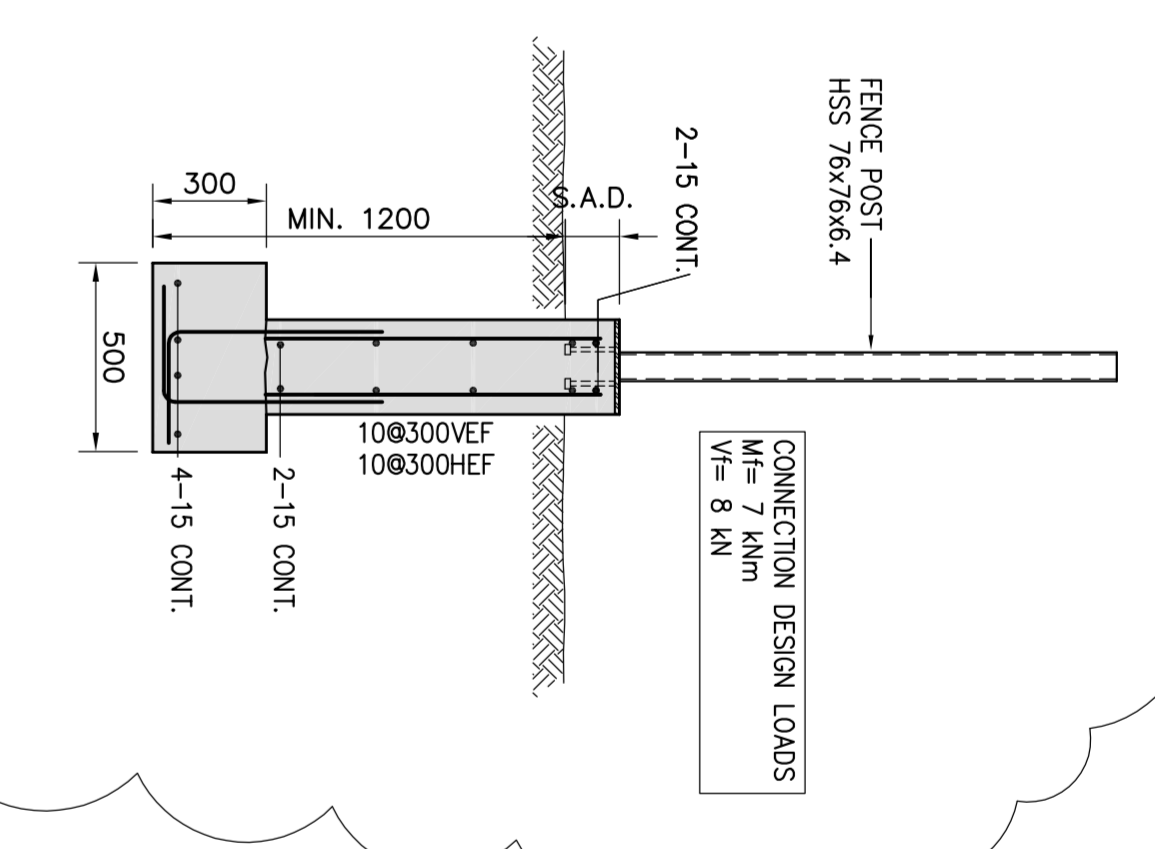
DETAIL OF RETAINING WALL

SCALE 1:20
 NOTE:
 1. PROVIDE T.L.S. TENSION LAP SIZES FOR ALL HORIZONTAL BARS INTO ADJACENT WALLS.
 2. CONCRETE SPREAD AT 2% DIPS SLOTTED 25 MIN. TO BE SHOWN IN ALL SECTIONS.
 3. SEE ARCH. AND LANDSCAPE DRAWING FOR LOCATION OF SET BACKS AND LANDSCAPE DRAWING FOR LOCATION OF DETAILS.



DETAIL OF PLANTER WALL

SCALE 1:20
 NOTE:
 1. PROVIDE T.L.S. TENSION LAP SIZES FOR ALL HORIZONTAL BARS AND T.L.S. INTO ADJACENT WALLS.
 2. CONCRETE SPREAD AT 2% DIPS SLOTTED 25 MIN. TO BE SHOWN IN ALL SECTIONS.
 3. SEE ARCH. AND LANDSCAPE DRAWING FOR LOCATION OF PLANTER.



TYPE C

FIRST FLOOR ELEV. 89.000m

NO.	Issued / Revises	DATE
1	ISSUED FOR PERMIT	2014-02-26
2	REVISED FOR COMMENTS	2014-02-26
3	REVISED FOR COMMENTS	2014-02-26
4	REVISED FOR COMMENTS	2014-02-26
5	REVISED FOR COMMENTS	2014-02-26
6	REVISED FOR COMMENTS	2014-02-26
7	REVISED FOR COMMENTS	2014-02-26
8	REVISED FOR COMMENTS	2014-02-26
9	REVISED FOR COMMENTS	2014-02-26
10	REVISED FOR COMMENTS	2014-02-26
11	REVISED FOR COMMENTS	2014-02-26

Jablonsky, Asif
 Civil Engineers
 1000 SHEPPARD AVENUE EAST
 SUITE 1000
 SCARBOROUGH, ONTARIO M1S 1T5
 TEL: 416-441-2727
 FAX: 416-441-2727
 E-MAIL: jablonsky@cei.ca

P.T.S. ASIT
 13015
 PROFESSIONAL ENGINEER
 ONTARIO

ALEXANDRA PARK - BLOCK 11
 TORONTO, ONTARIO

DATE: 11/10
 DRAWN BY: H.M.
 CHECKED BY: H.M.
 DATE: MARCH 2014