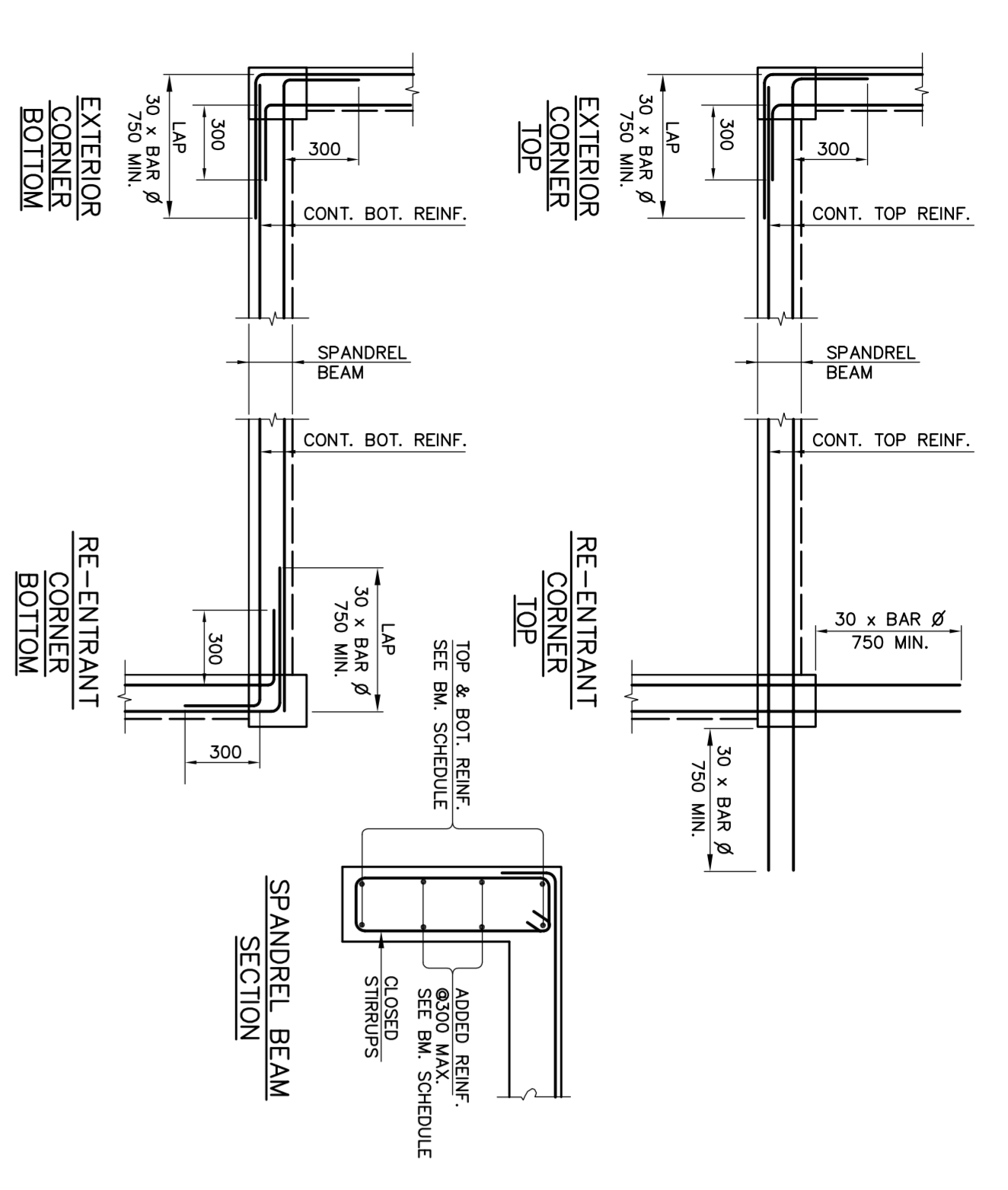
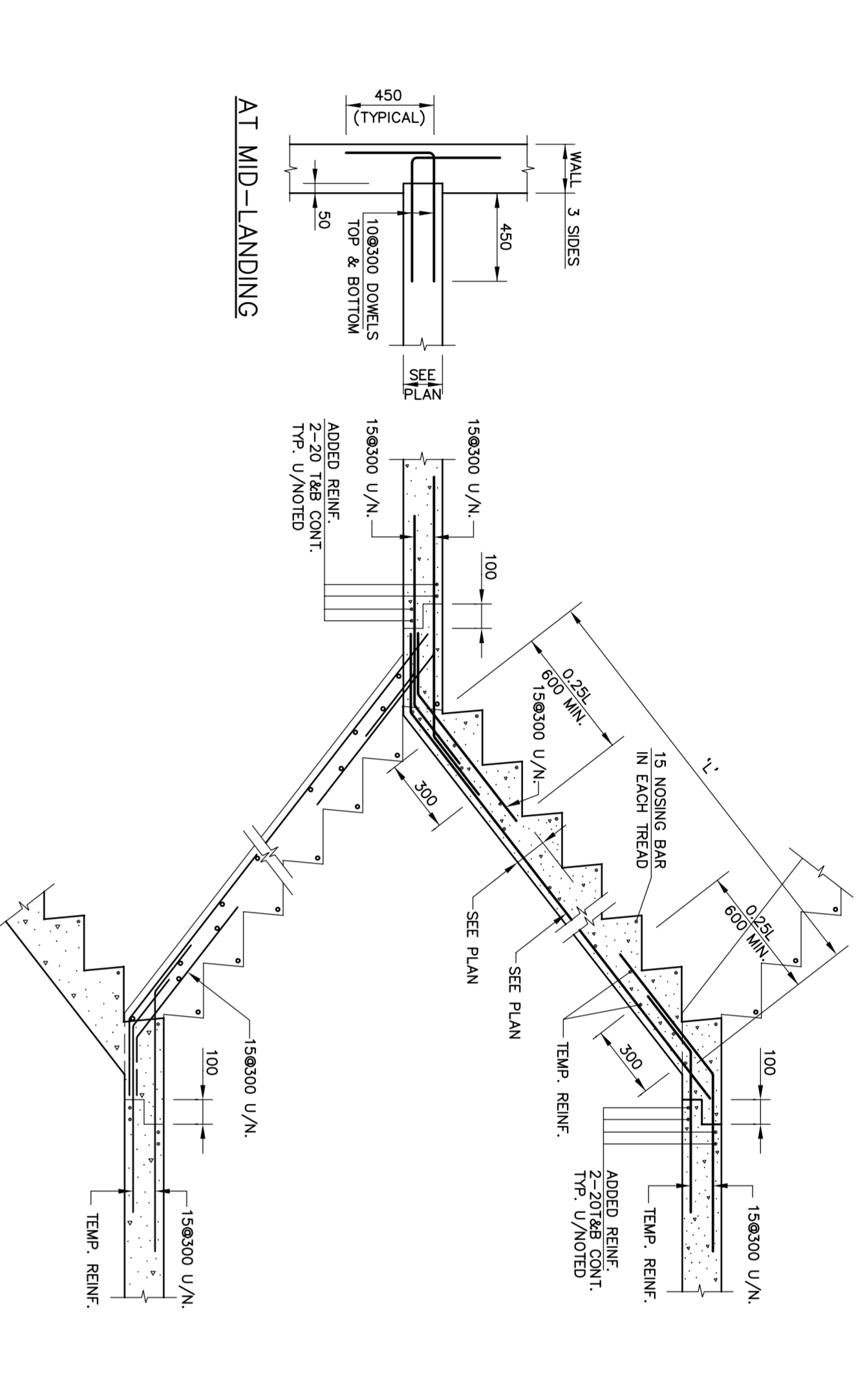


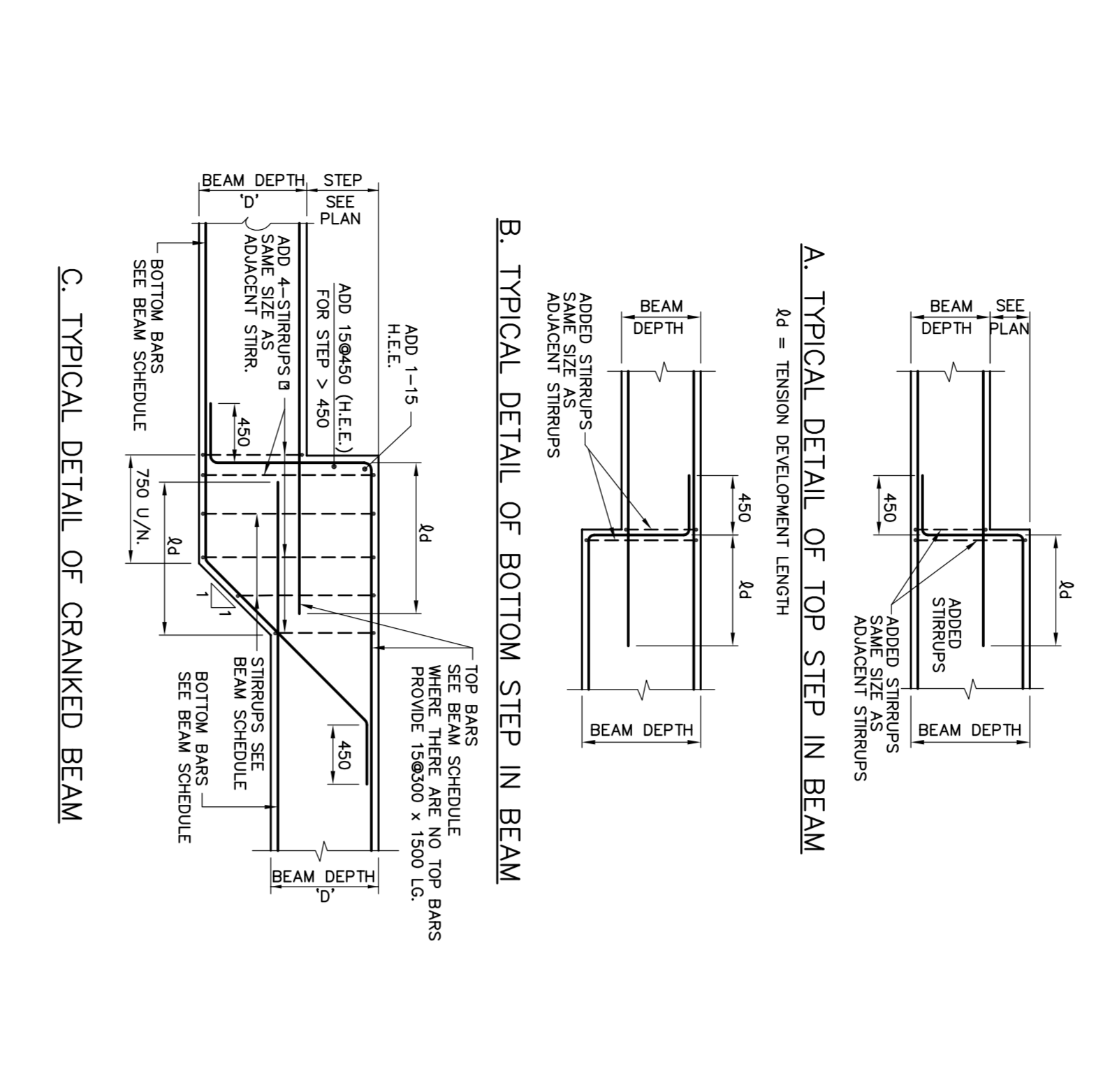
601 TYPICAL ARRANGEMENT OF SPANDREL BEAMS REINF.



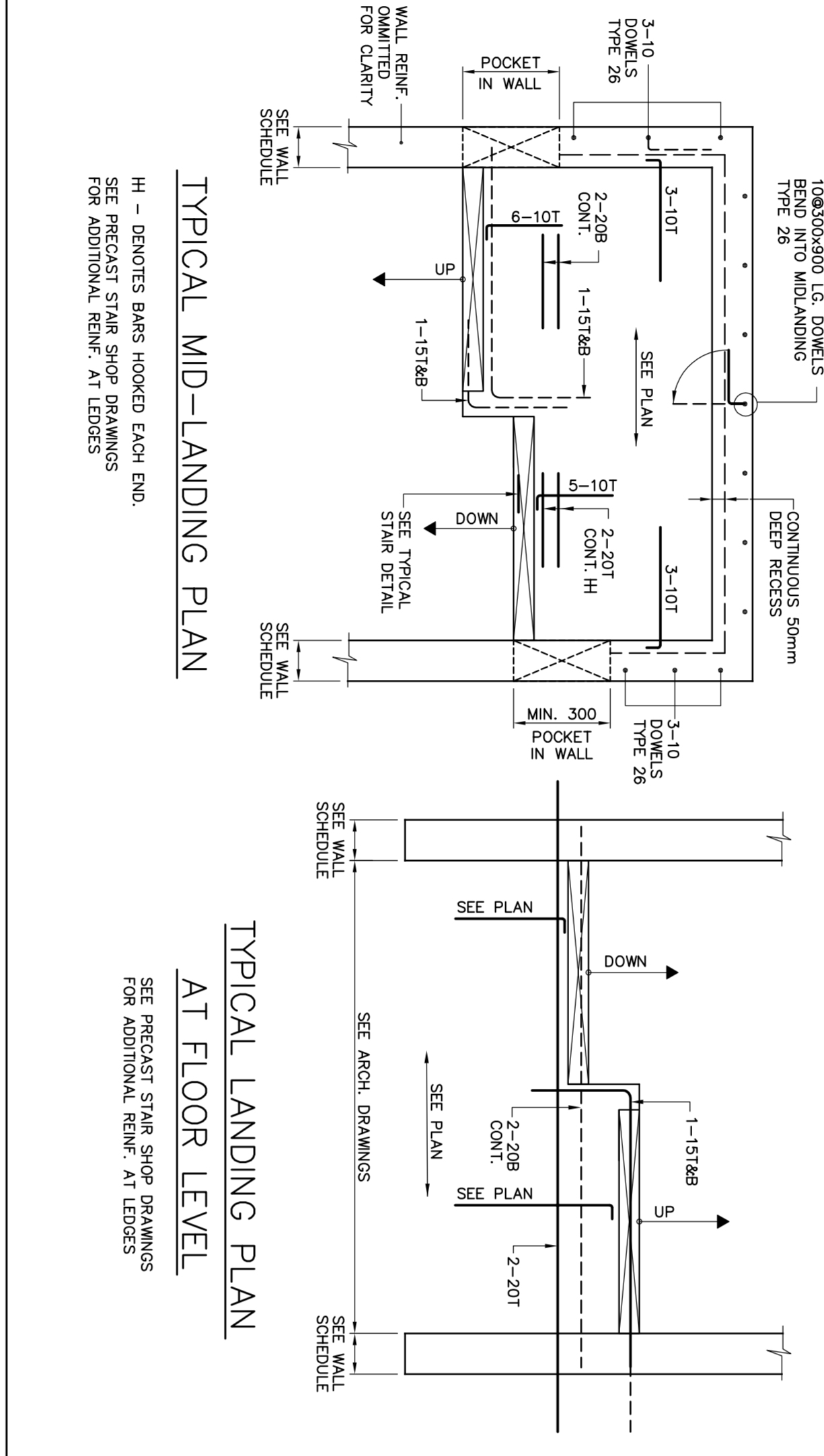
700 TYPICAL CONCRETE STAIRS DETAILS



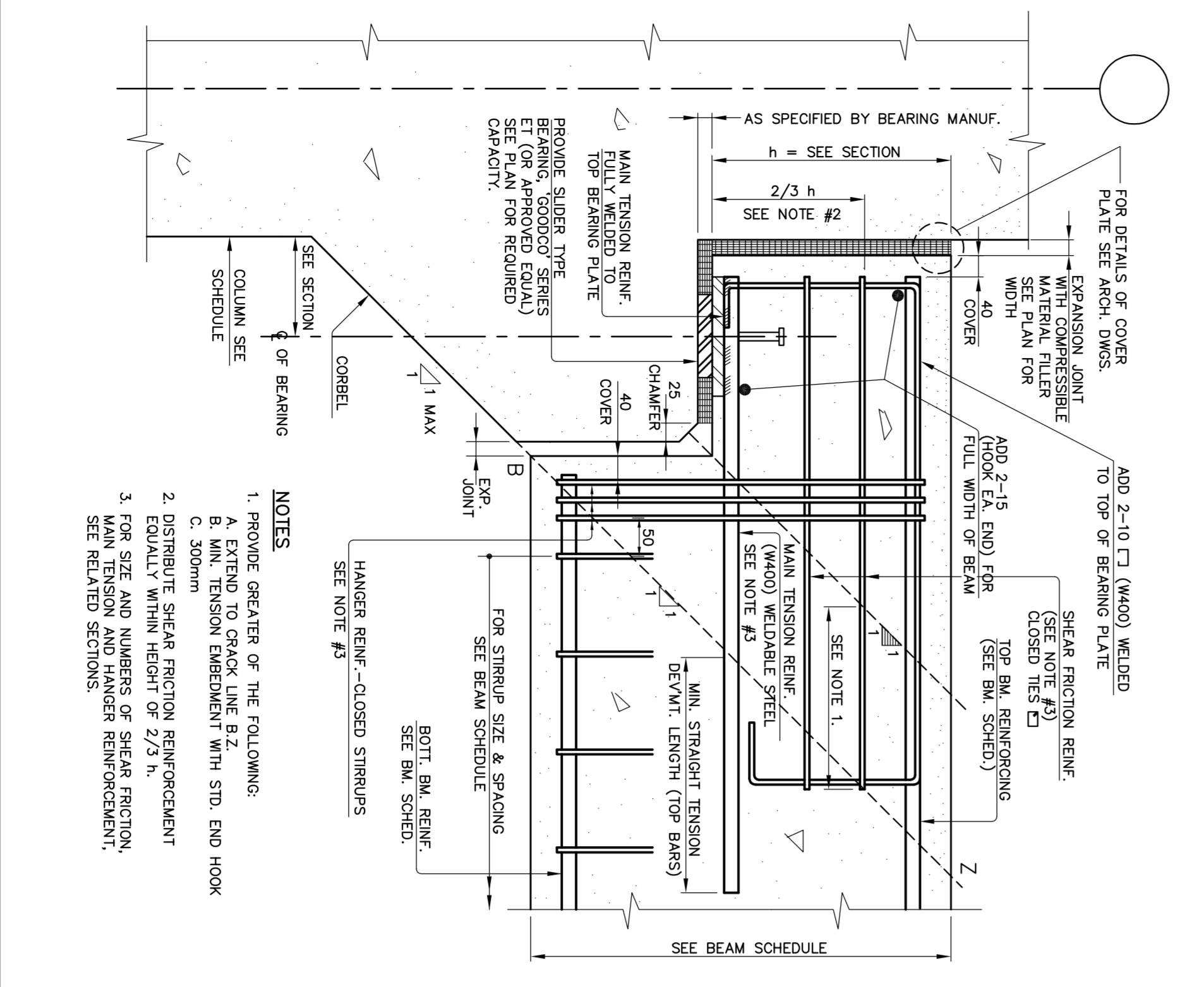
602 TYPICAL DETAILS OF STEPPED/CRANKED BEAMS



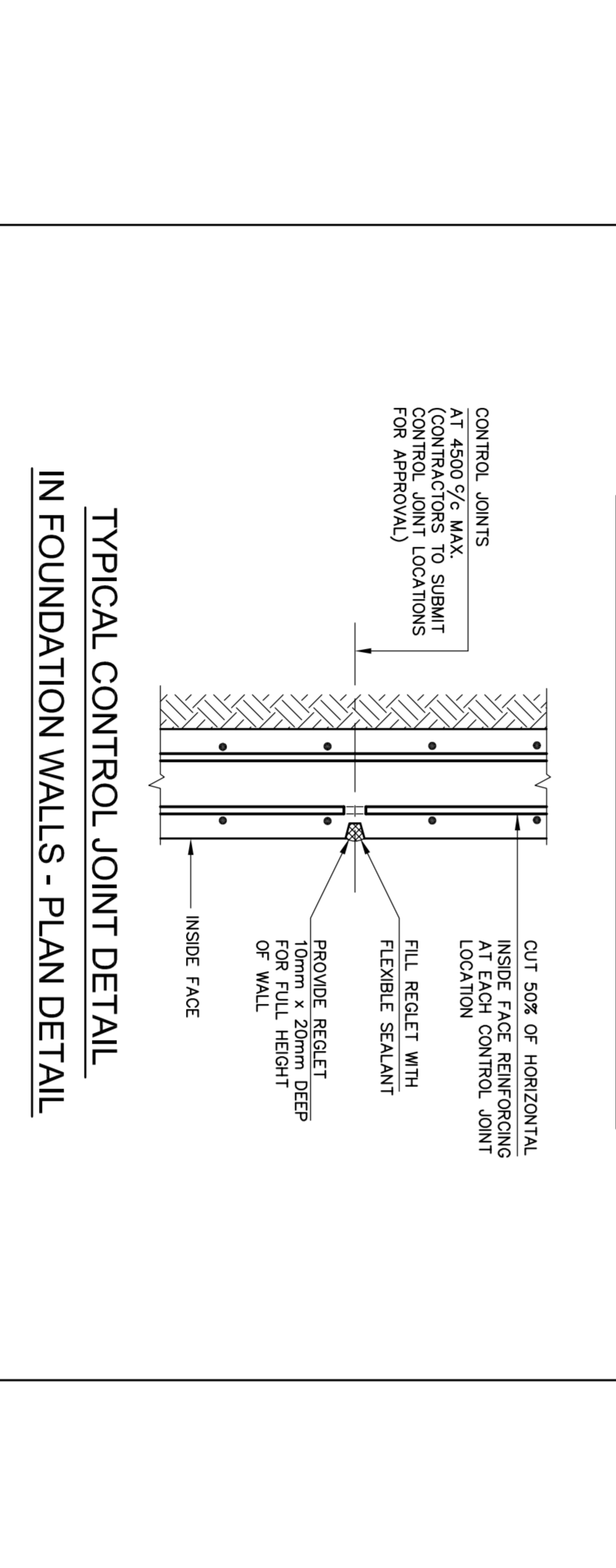
701 TYPICAL LANDING PLANS FOR PRECAST STAIRS



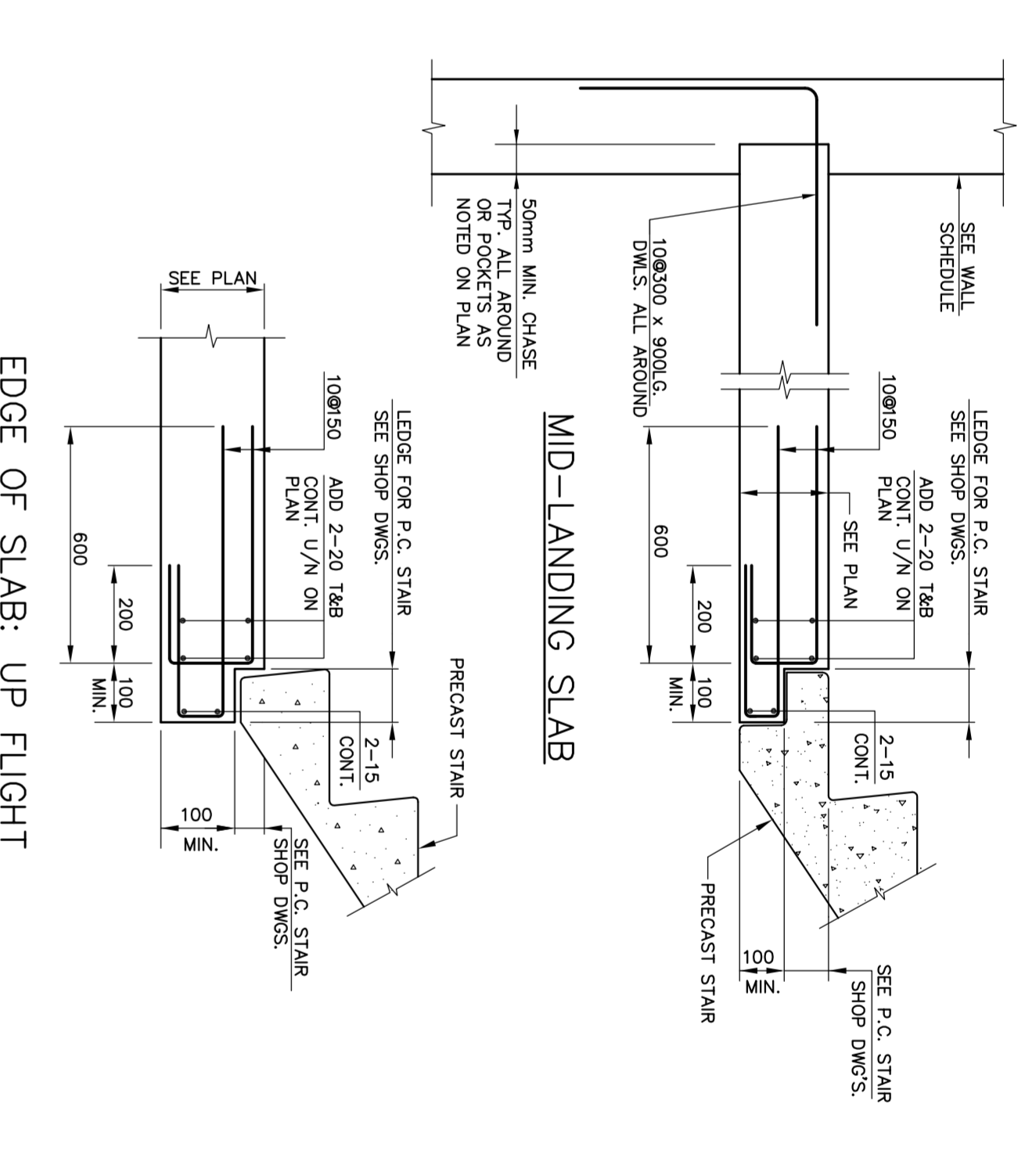
603 TYPICAL DETAILS OF DAPPED-END BEAMS



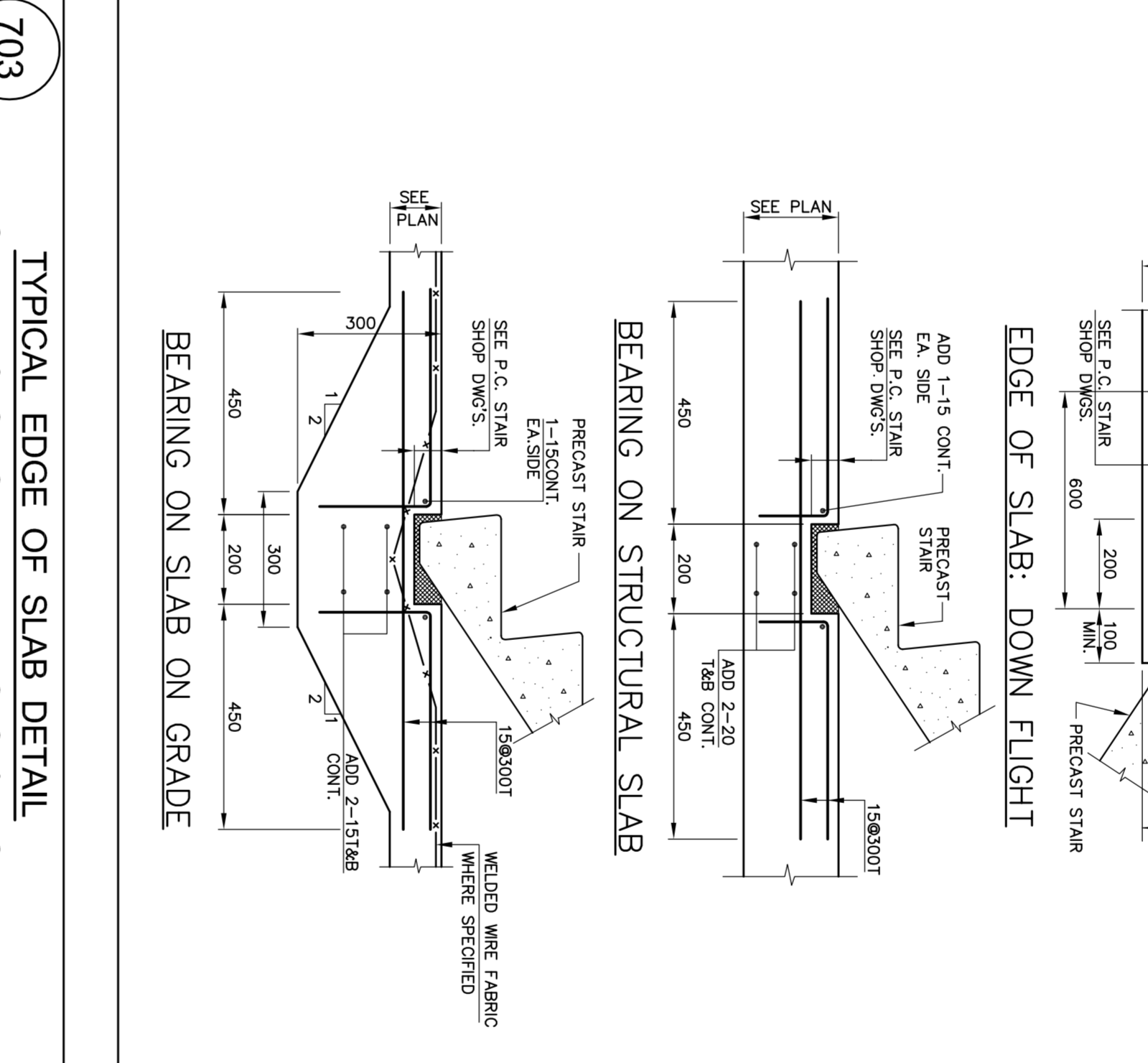
803 TYPICAL EXPANSION & CONTROL JOINTS IN WALLS



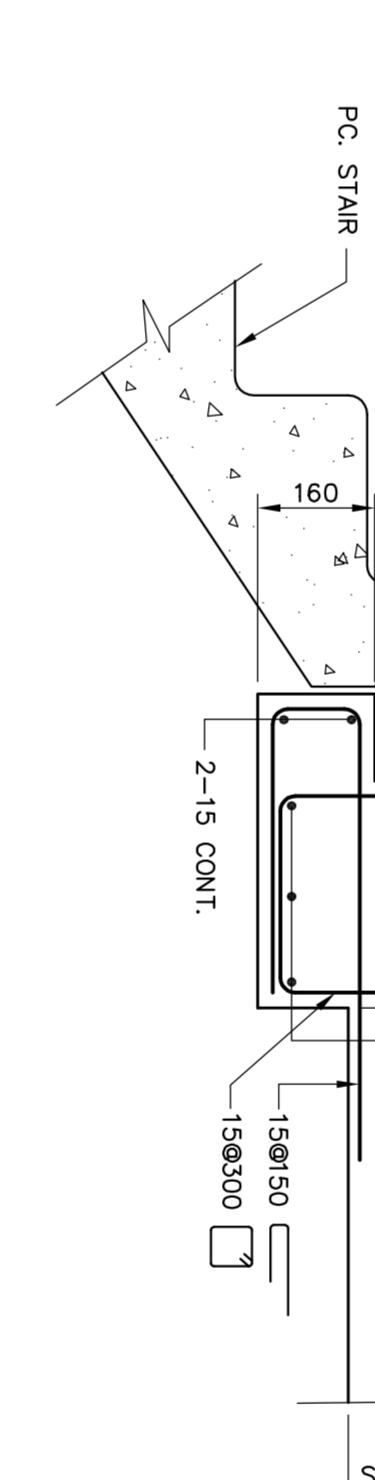
702 TYPICAL PRECAST STAIRS DETAILS



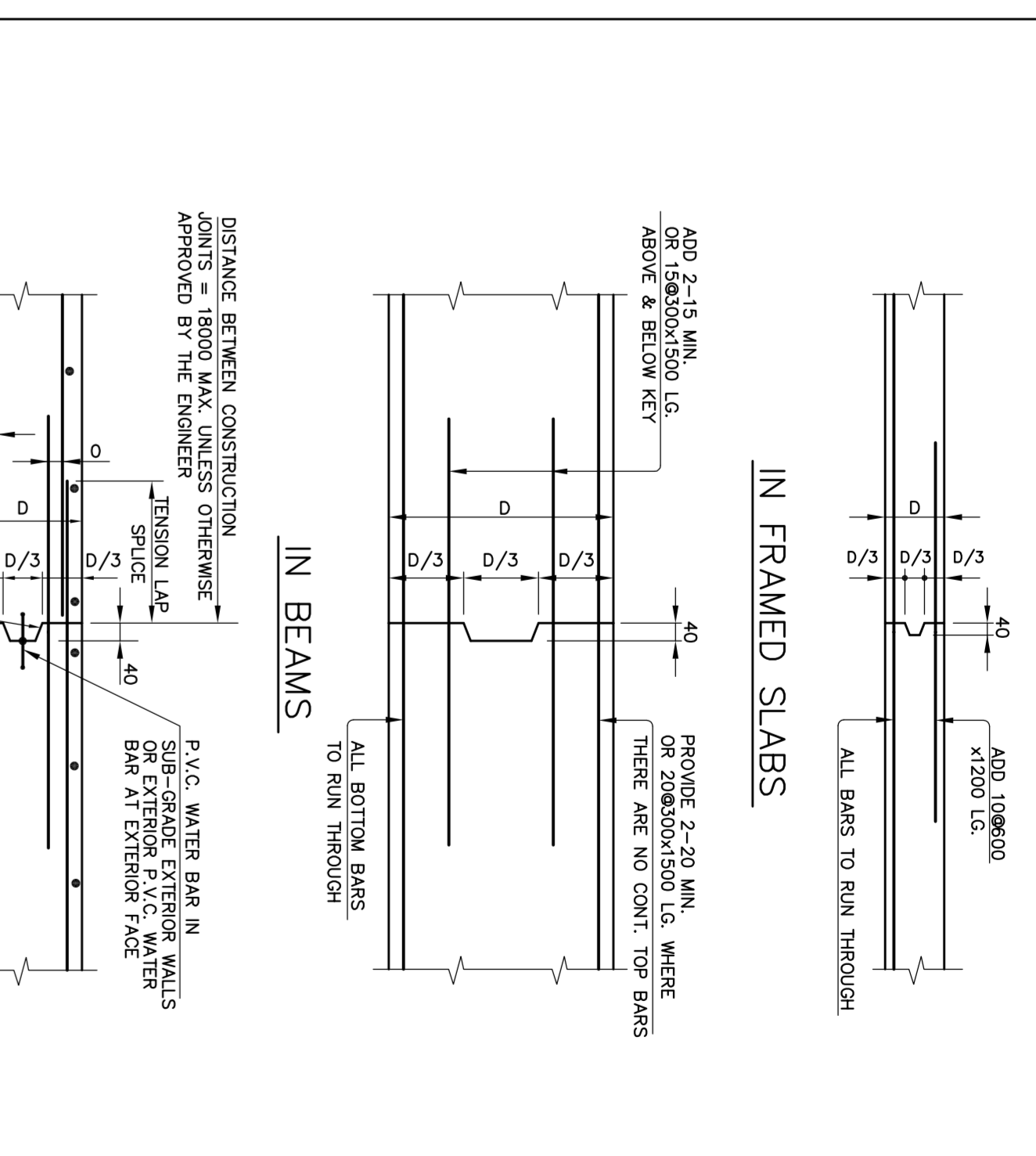
801 TYPICAL CLOSURE STRIPS DETAILS



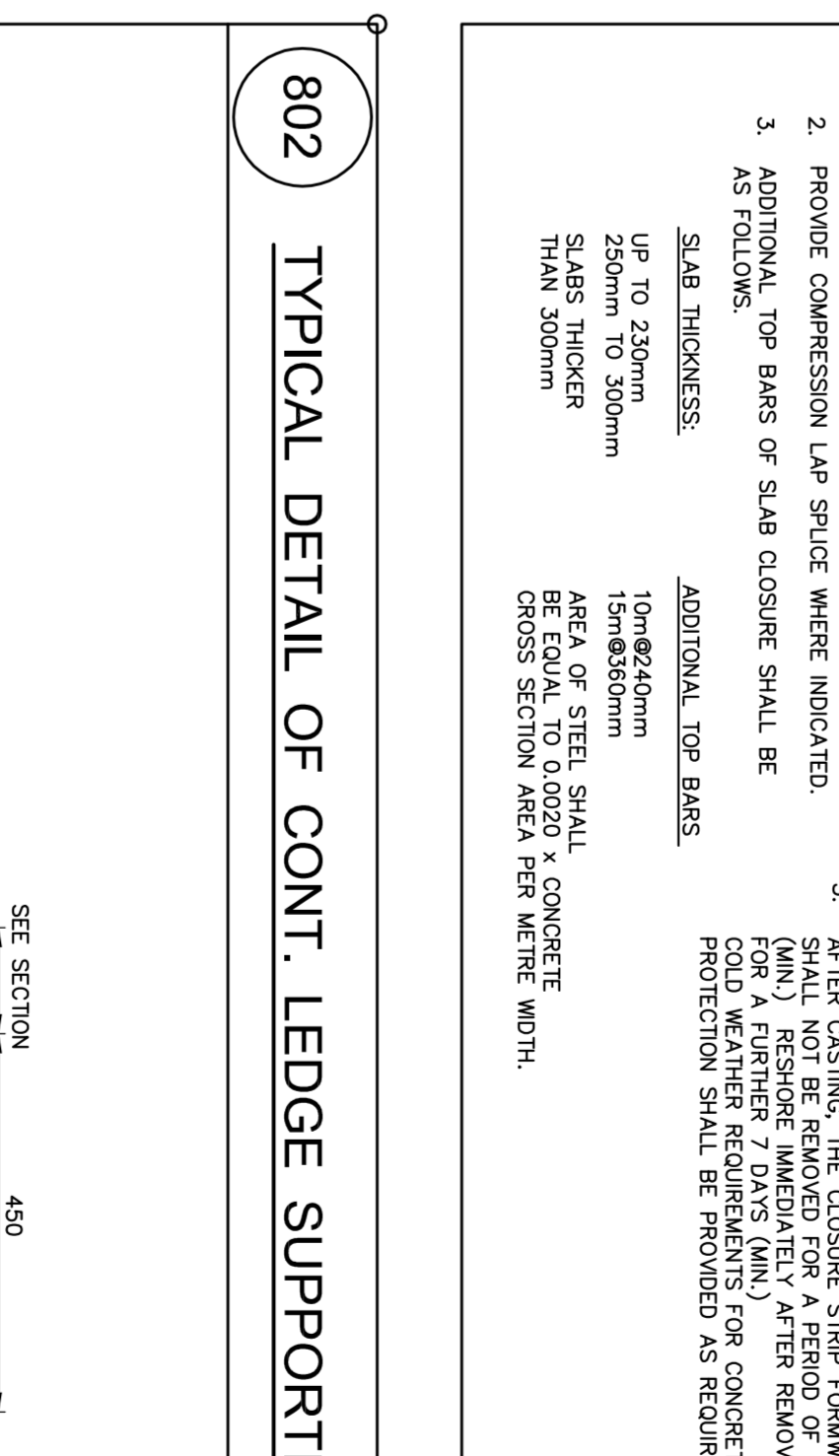
703 TYPICAL EDGE OF SLAB DETAIL FOR PRECAST STAIR 16 RISES & MORE



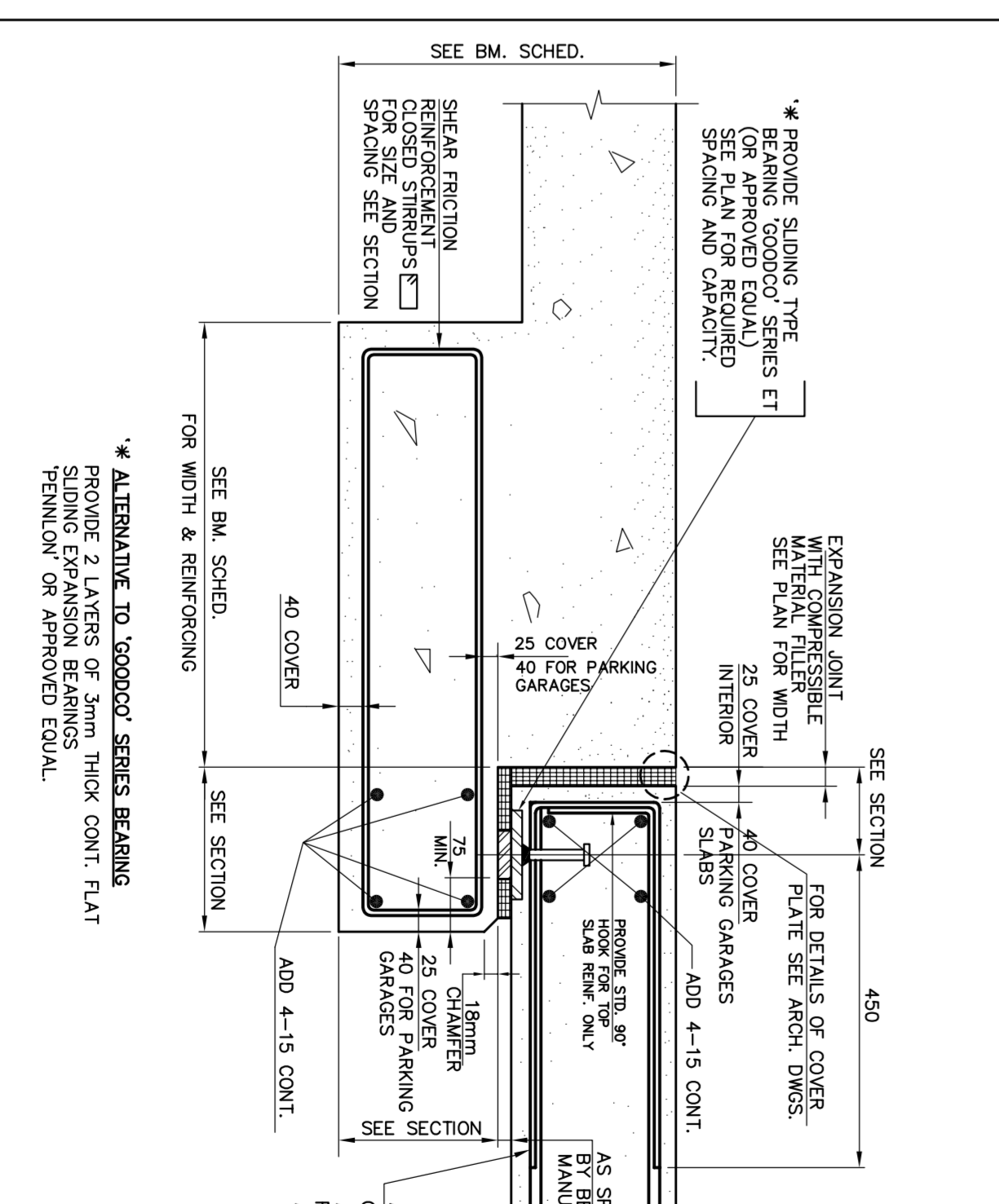
800 TYPICAL CONSTRUCTION JOINTS DETAILS



704 TYPICAL MID-WALL DETAIL AT SCISSOR STAIRS



802 TYPICAL DETAIL OF CONT. LEDGE SUPPORTING SLAB



Jablonsky, Ast and Partners ENGINEERS
 1000 SHEPPARD AVENUE EAST
 SUITE 1000
 SCARBOROUGH, ONTARIO M1S 1T7
 TEL: (416) 441-2777
 FAX: (416) 441-2778
 WWW: www.jablonsky.com

FIRST FLOOR ELEV. 90.00mm

NO.	REVISION	DATE
1	ISSUED FOR PERMIT	2014/03/03
2	REVISED FOR COMMENTS	2014/03/03
3	REVISED FOR COMMENTS	2014/03/03
4	REVISED FOR COMMENTS	2014/03/03
5	REVISED FOR COMMENTS	2014/03/03
6	REVISED FOR COMMENTS	2014/03/03
7	REVISED FOR COMMENTS	2014/03/03
8	REVISED FOR COMMENTS	2014/03/03
9	REVISED FOR COMMENTS	2014/03/03
10	REVISED FOR COMMENTS	2014/03/03

ALEXANDRA PARK - BLOCK 11
 TORONTO, ONTARIO

DATE: 14/03/14
 DRAWN BY: H.W.
 CHECKED BY: H.W.
 DATE: MARCH 2014