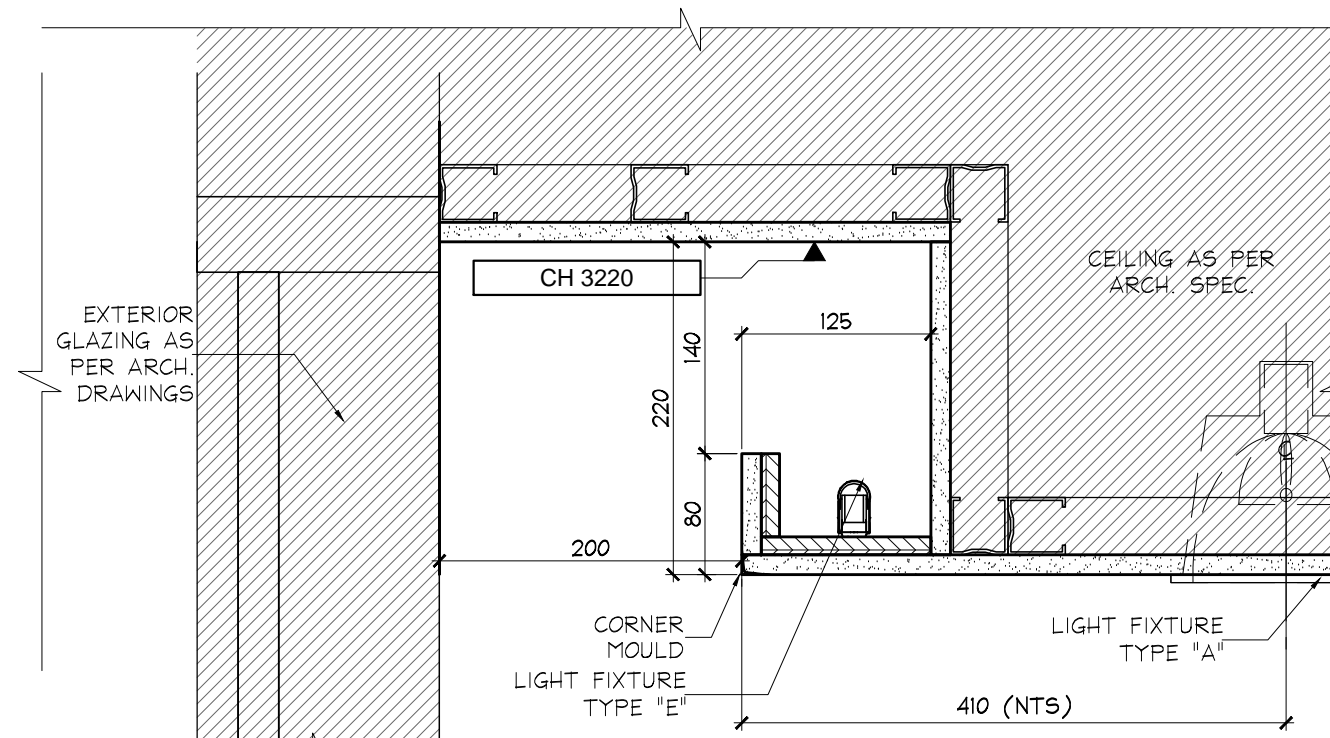


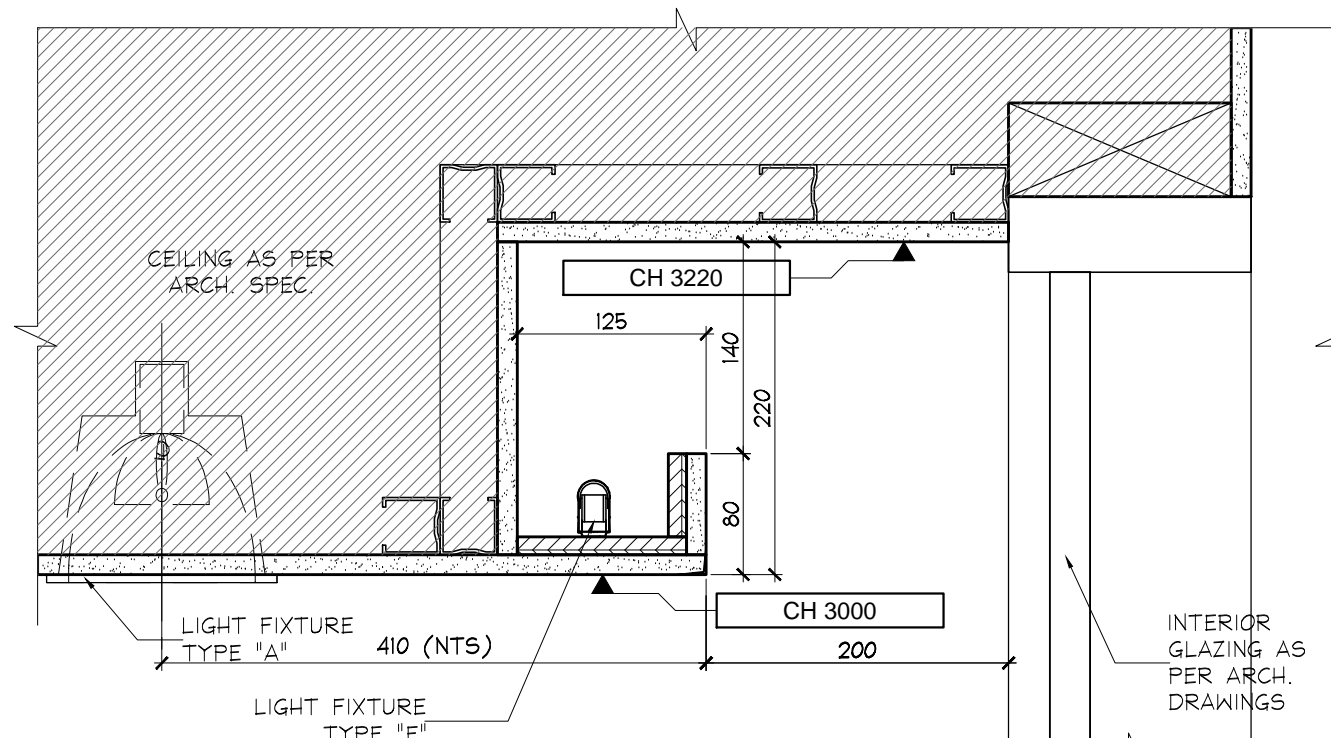
DO NOT SCALE DRAWINGS.

CONTRACTOR MUST VERIFY ALL DRAWINGS, DIMENSIONS, DETAILS AND SPECIFICATIONS, AND REPORT ANY DISCREPANCIES TO UNICOR 31 INC. BEFORE PROCEEDING WITH WORK. MATERIALS MAY NOT BE SUBSTITUTED WITHOUT WRITTEN APPROVAL FROM UNICOR 31 INC. ALL DRAWINGS AND SPECIFICATIONS ARE INSTRUMENTS OF SERVICE AND THE PROPERTY OF UNICOR 31 INC. WHICH MUST BE RETURNED AT THE COMPLETION OF THE WORK.

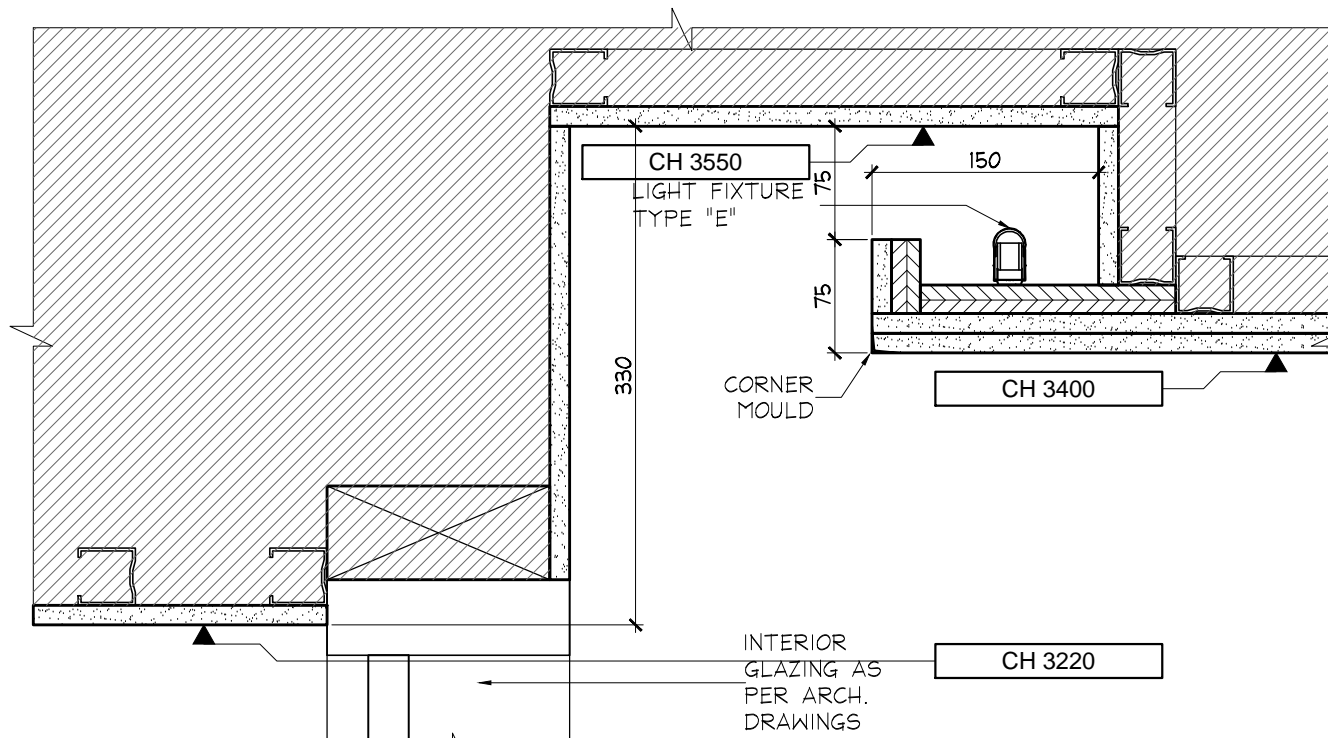
PRINTED: 20-Aug-15



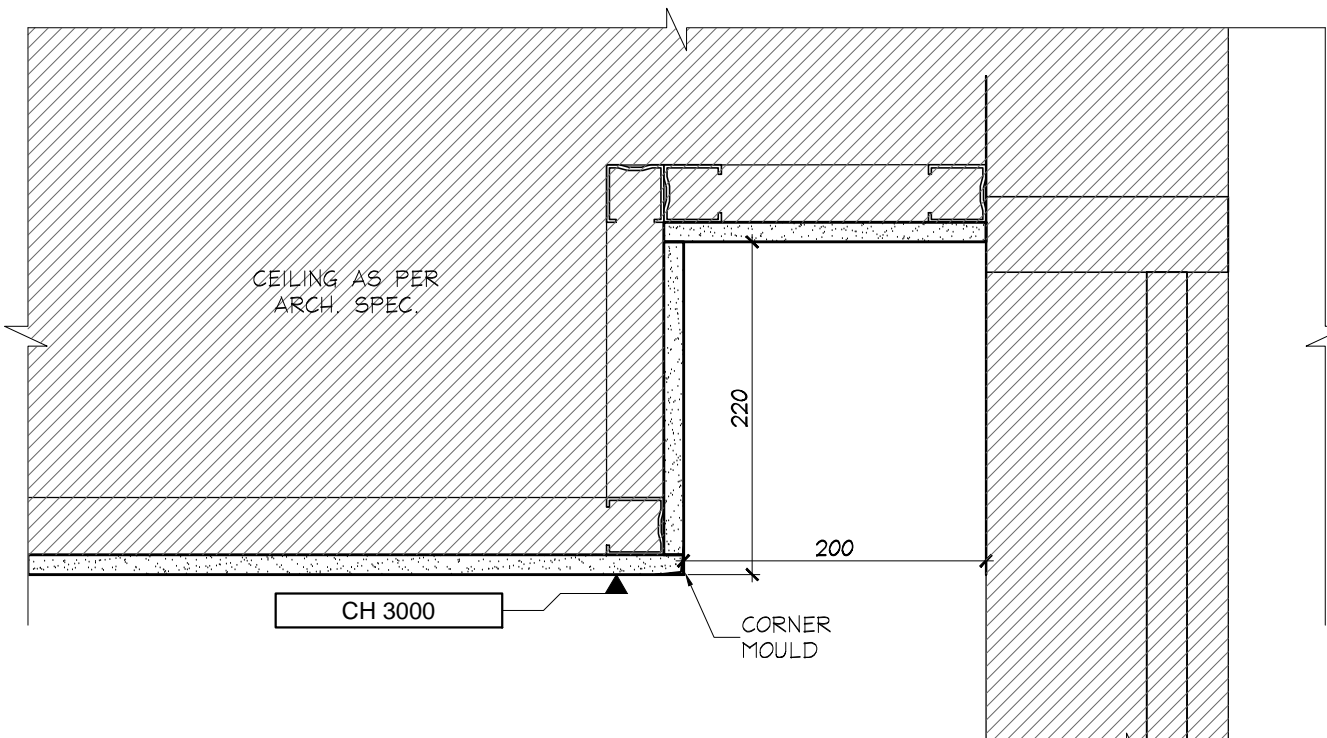
1 CEILING SECTION  
ID3.1.0 EAST VESTIBULE  
1ST FLOOR SCALE 1:5



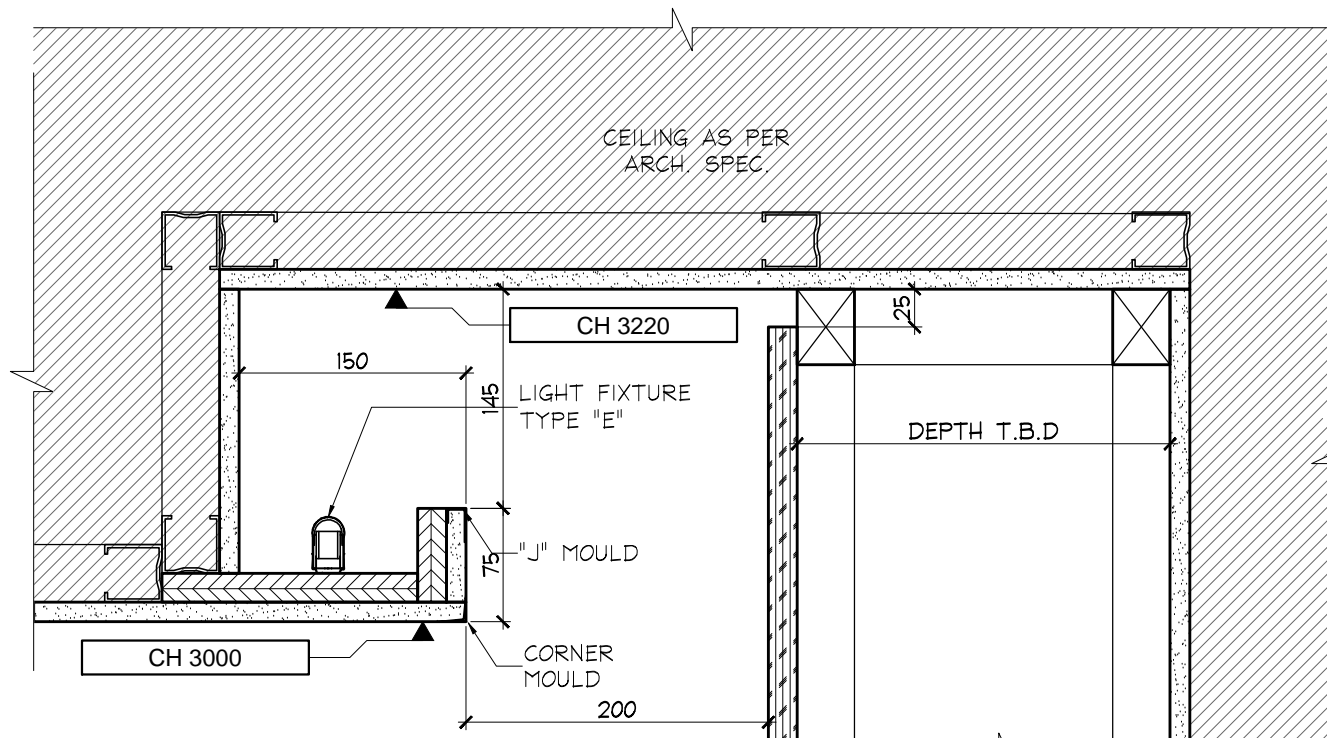
2 CEILING SECTION  
ID3.1.0 EAST VESTIBULE  
1ST FLOOR SCALE 1:5



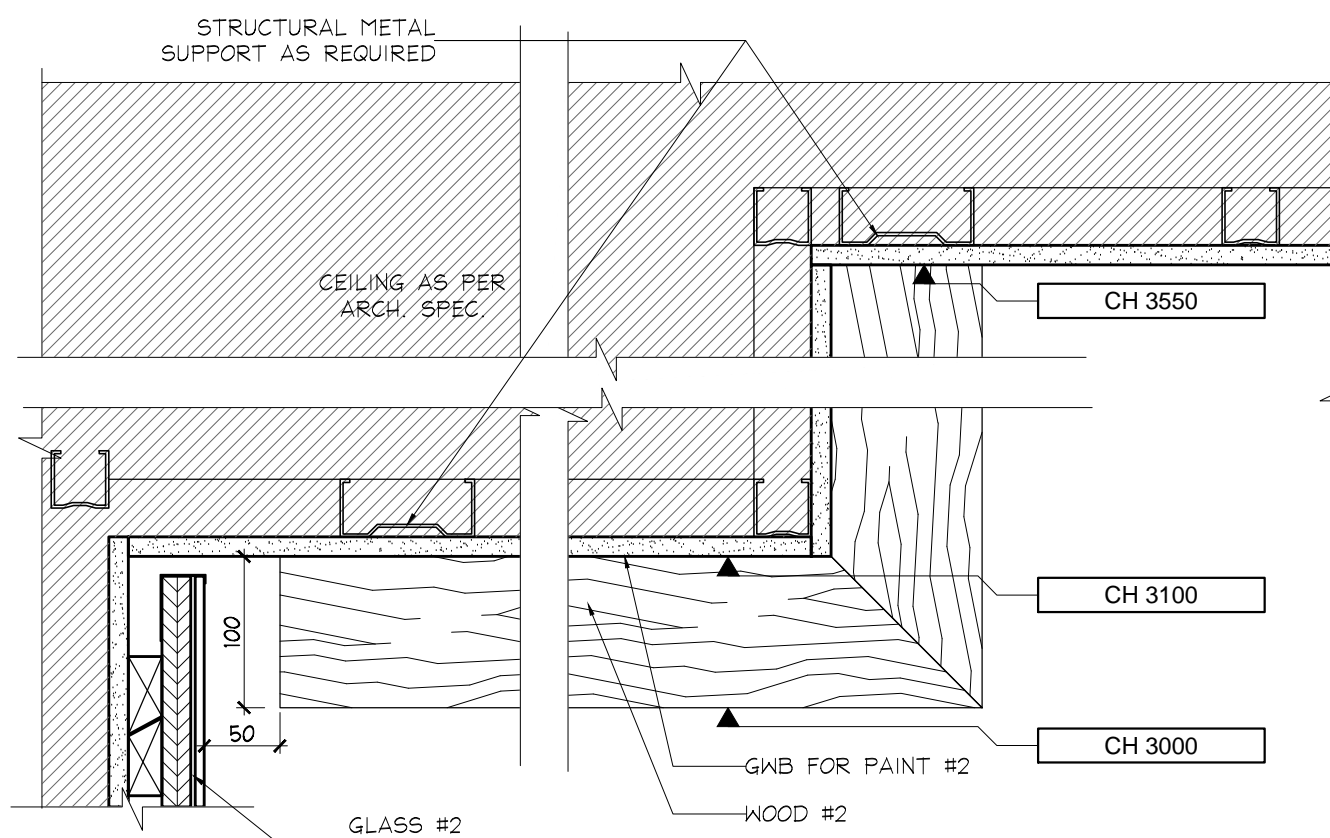
3 CEILING SECTION  
ID3.1.0 EAST VESTIBULE  
1ST FLOOR SCALE 1:5



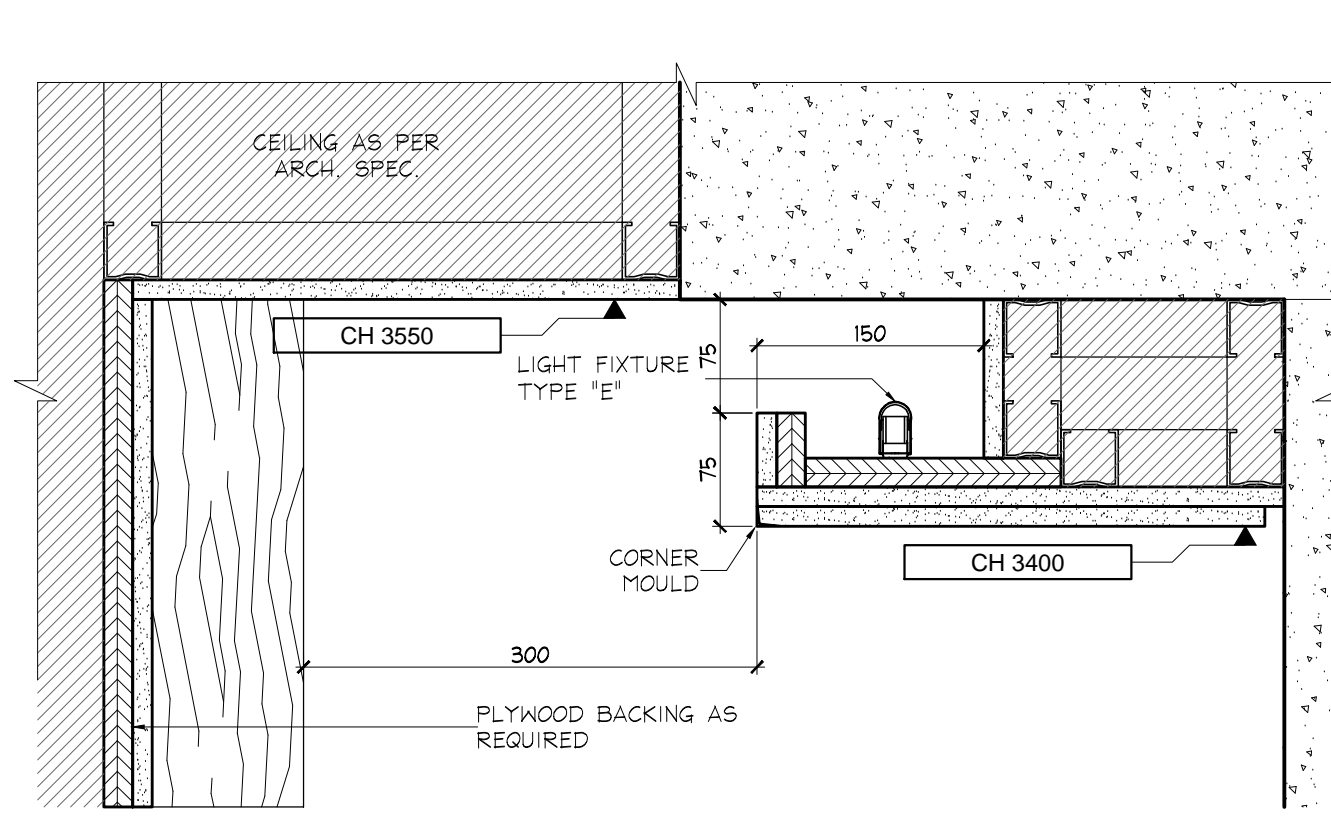
4 SECTION @ EXTERIOR GLAZ  
ID3.1.0 1ST FLOOR SCALE 1:5



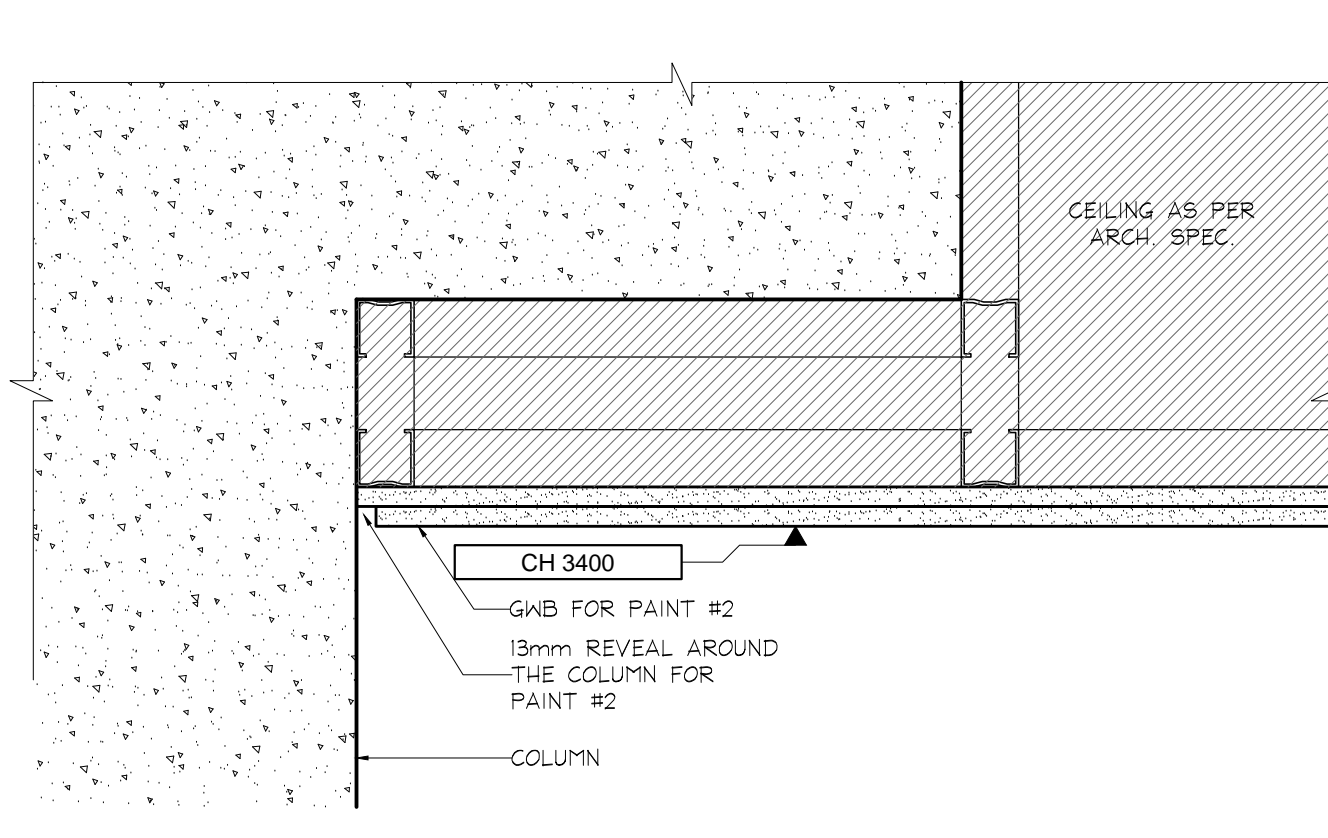
5 SECTION @ FIREPLACE  
ID3.1.0 1ST FLOOR SCALE 1:5



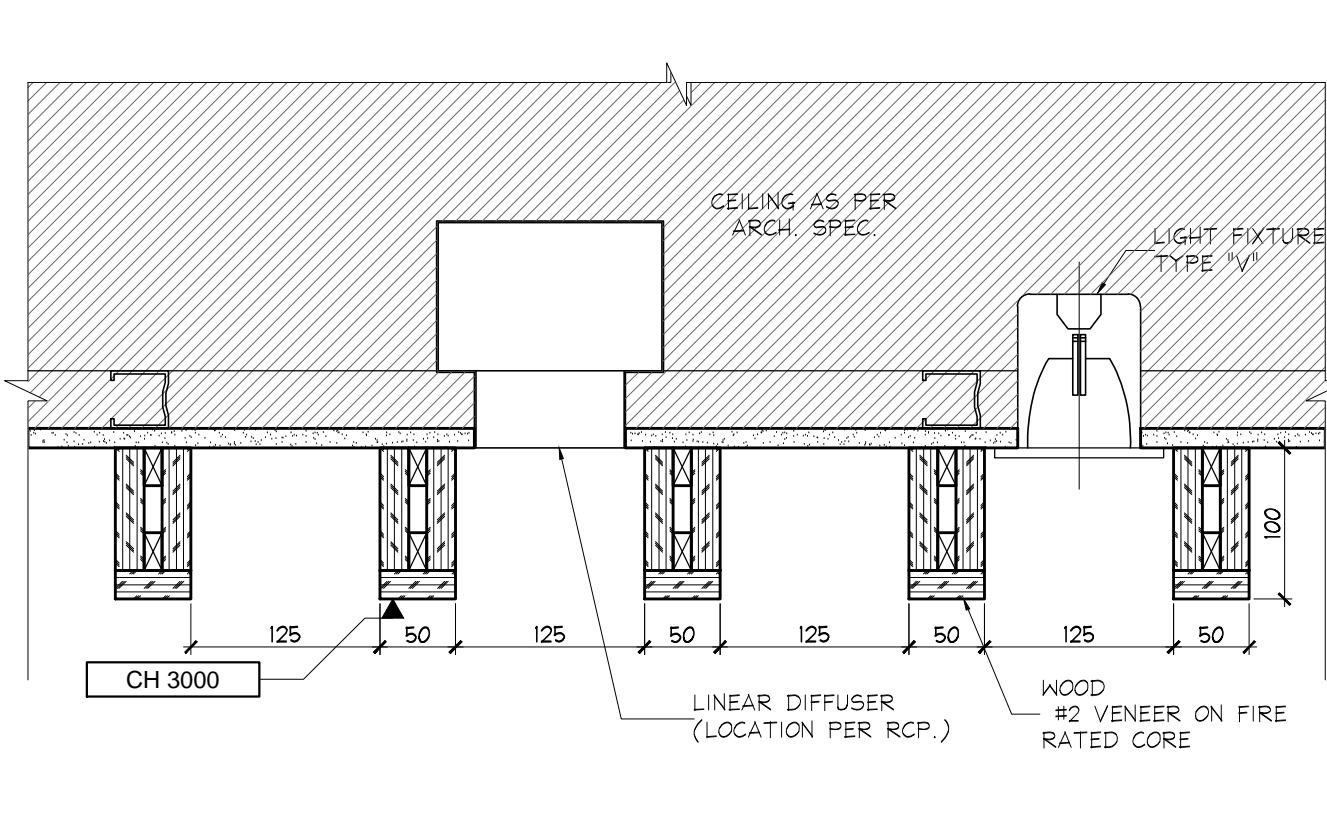
6 BULKHEAD @ CONCIERGE  
ID3.1.0 1ST FLOOR SCALE 1:5



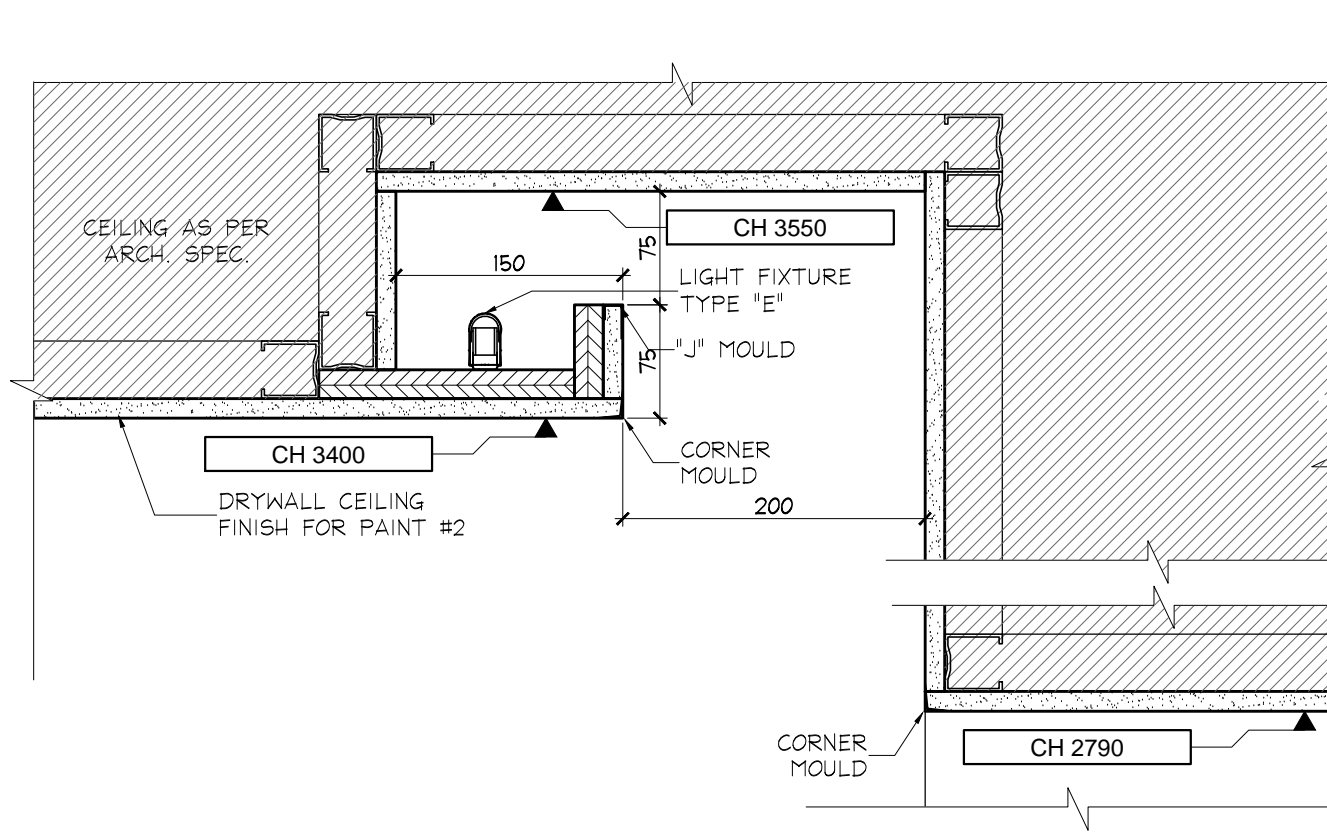
7 BULKHEAD @ CONCIERGE  
ID3.1.0 1ST FLOOR SCALE 1:5



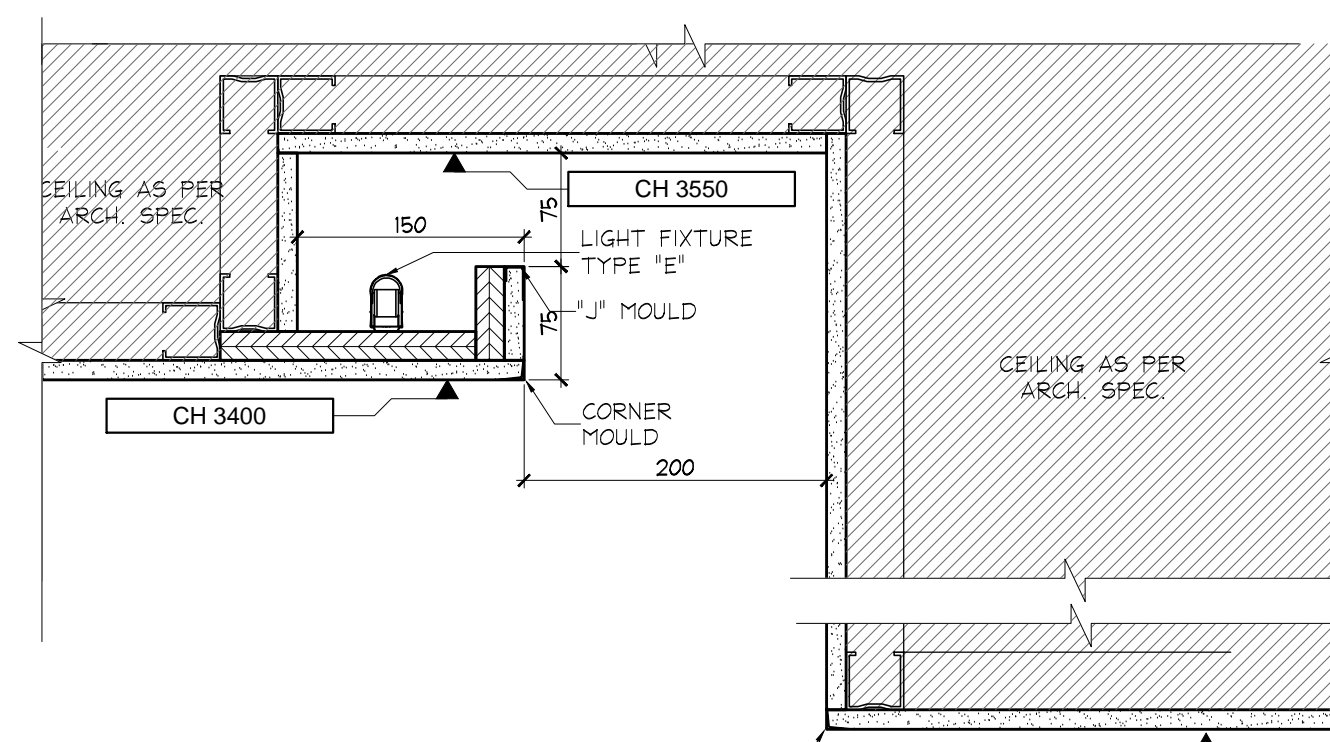
8 BULKHEAD @ CONCIERGE  
ID3.1.0 1ST FLOOR SCALE 1:5



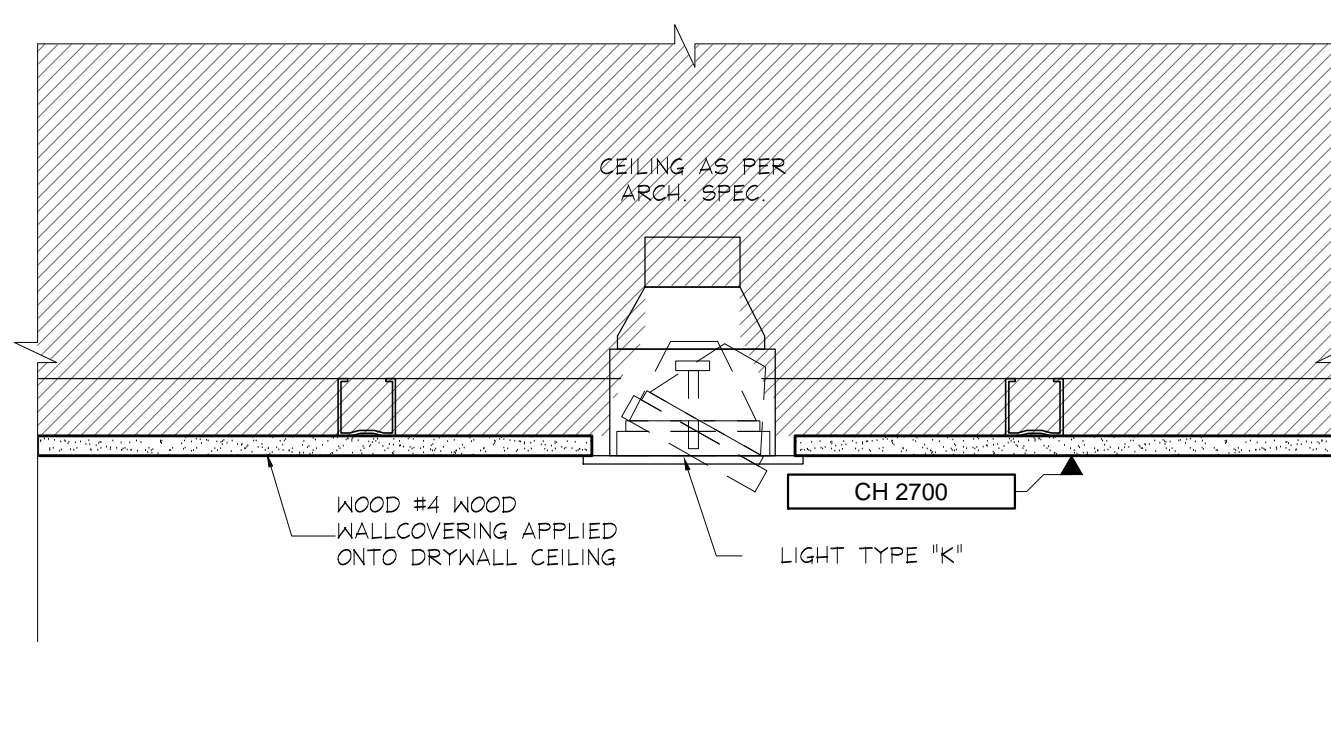
9 SECTION  
ID3.1.0 CEILING DETAIL @ CONCIERGE  
1ST FLOOR SCALE 1:5



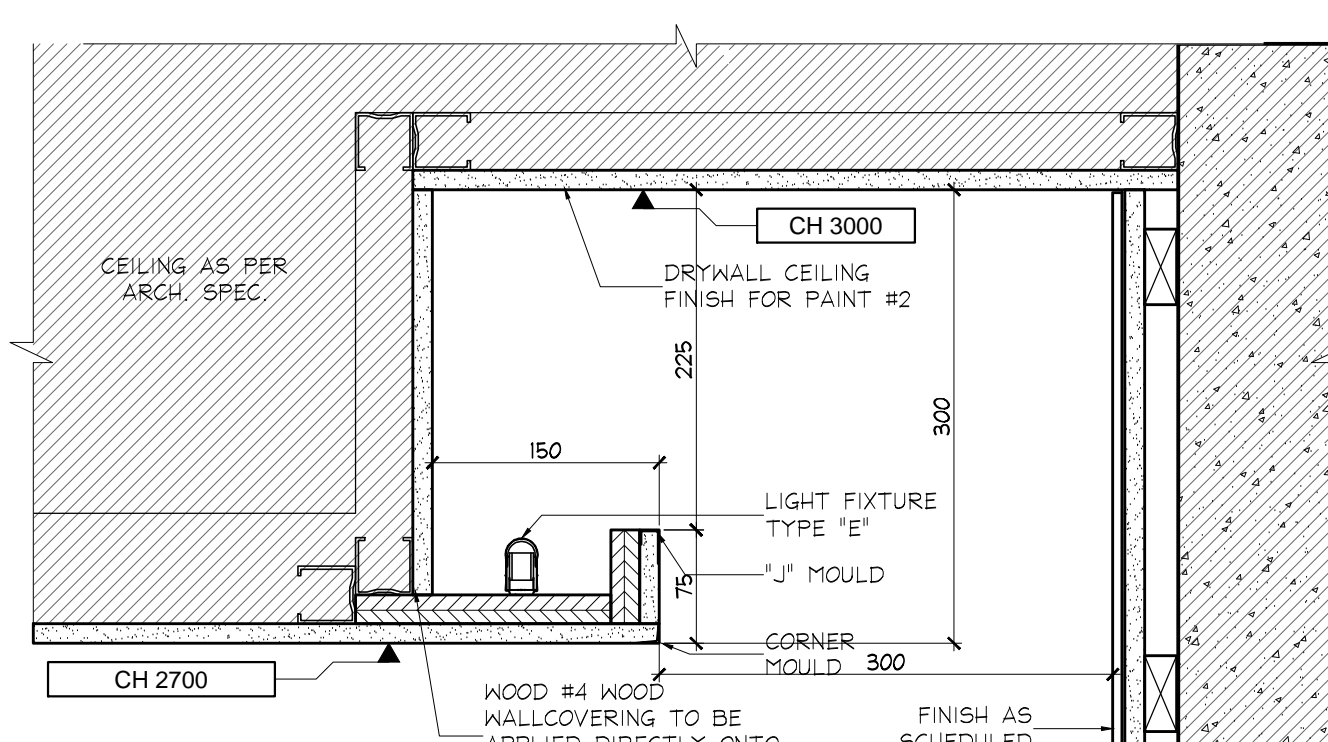
10 SECTION  
ID3.1.0 1ST FLOOR SCALE 1:5



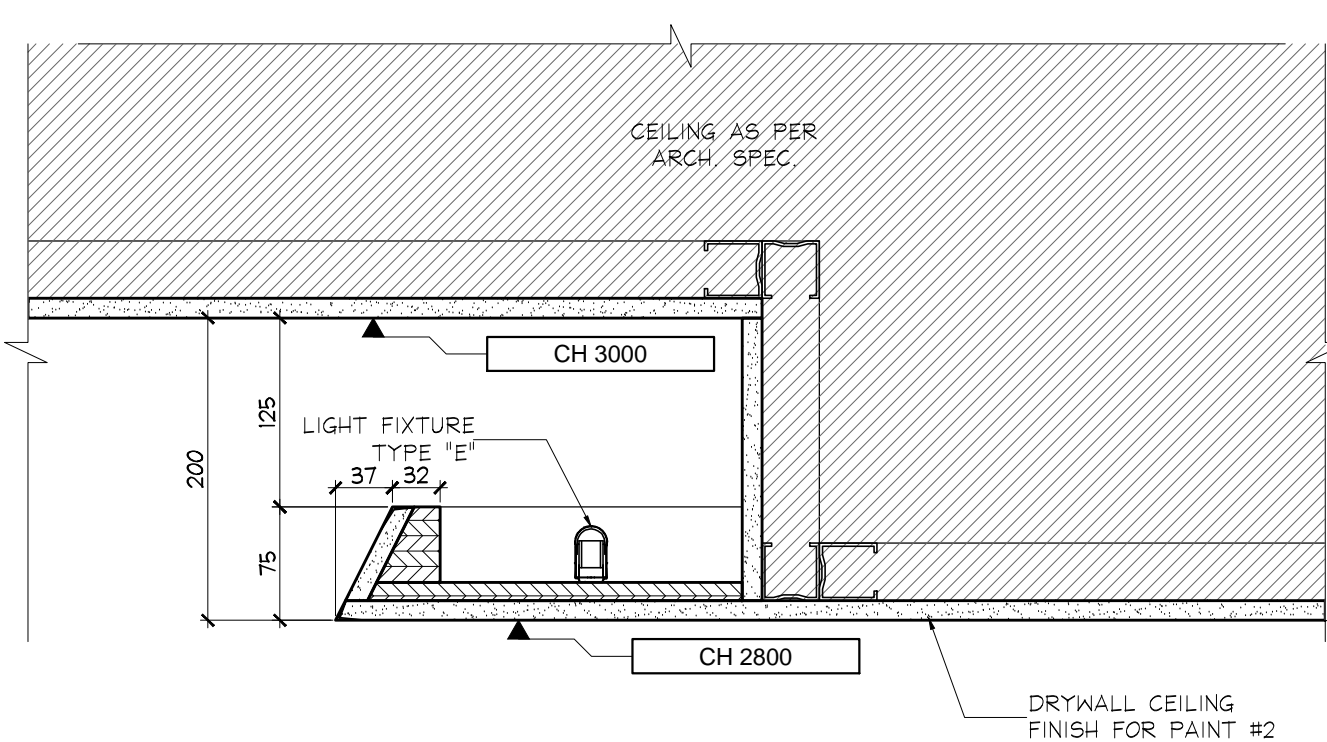
11 SECTION  
ID3.1.0 1ST FLOOR SCALE 1:5



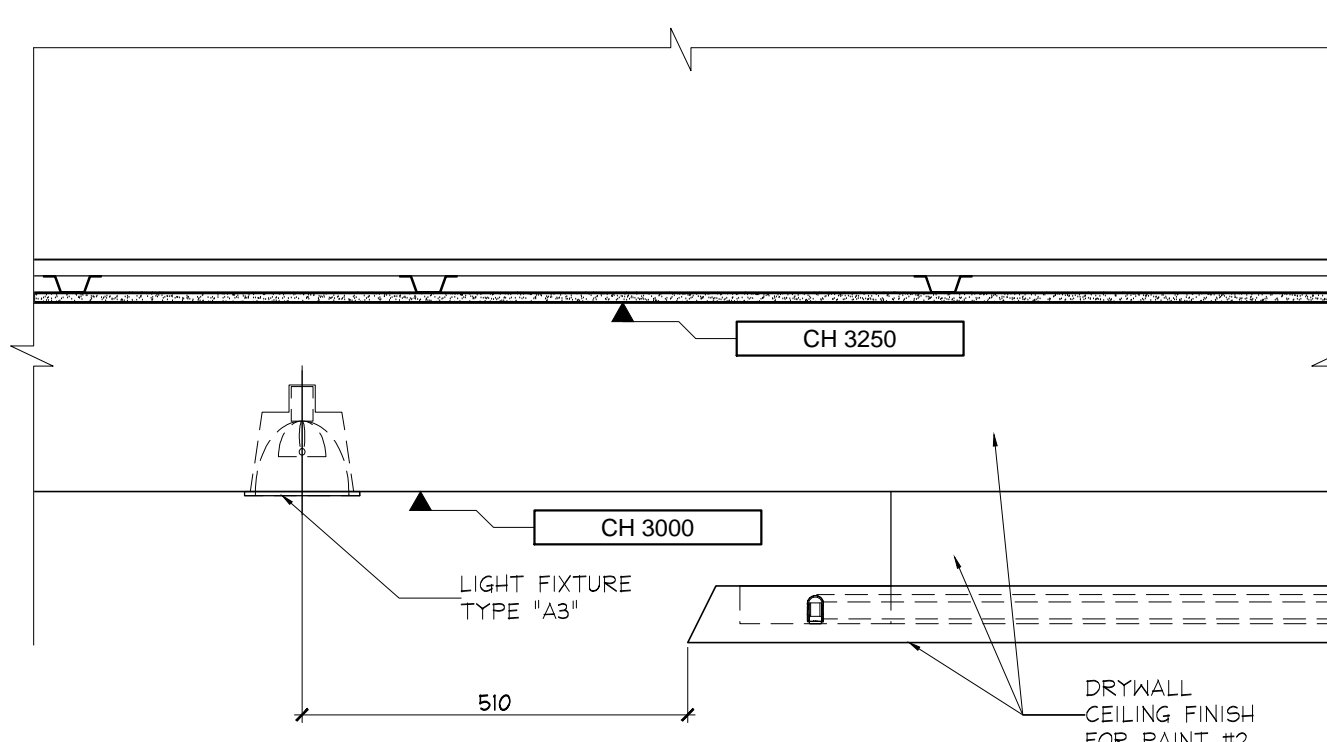
12 LIGHT DETAIL  
ID3.1.0 ELEVATOR LOBBY  
1ST FLOOR SCALE 1:5



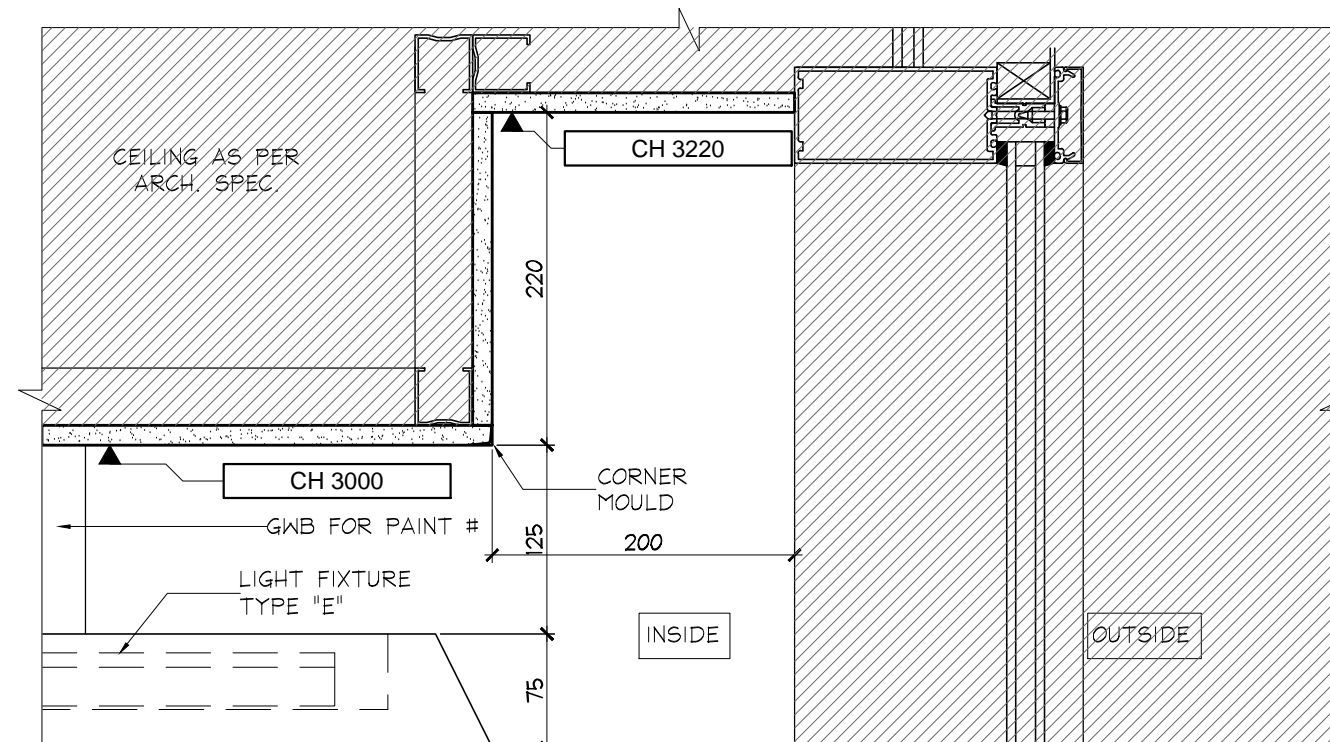
13 SECTION @ ELEVATOR COVE  
ID3.1.0 1ST FLOOR SCALE 1:5



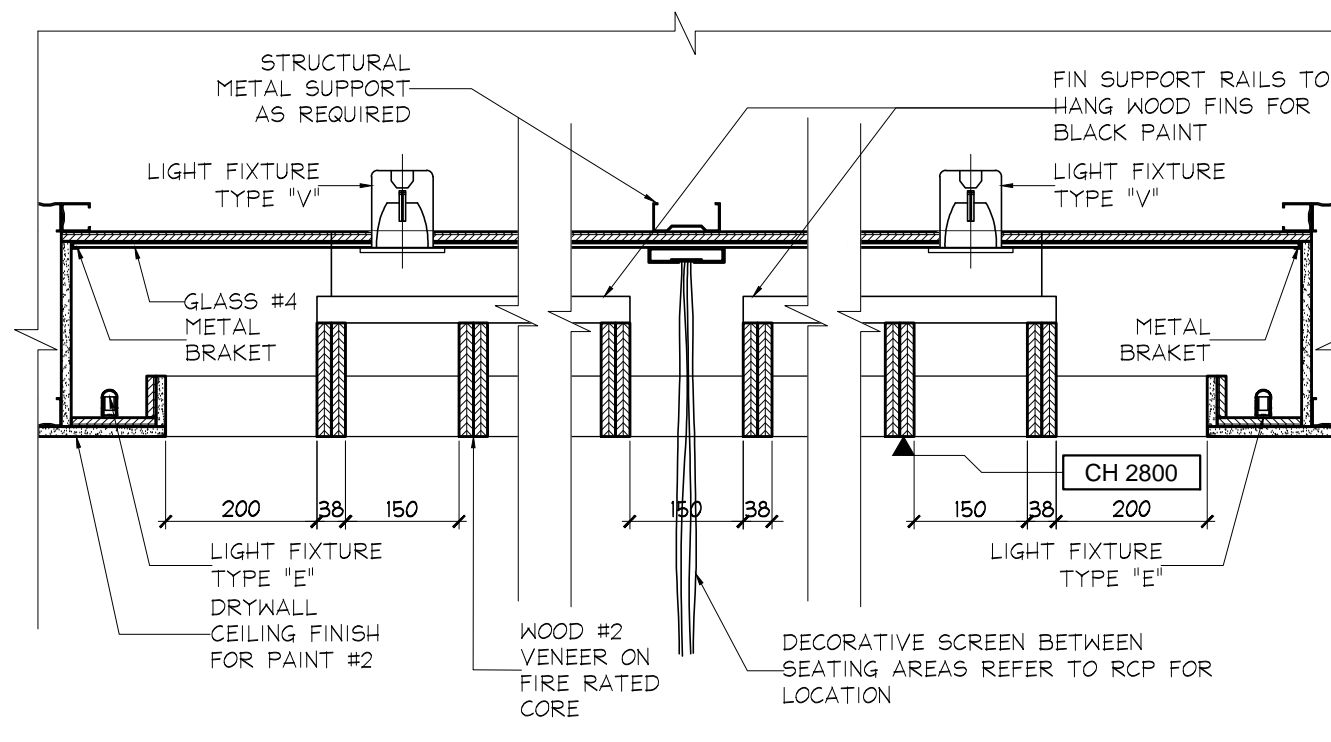
14 CEILING SECTION  
ID3.1.0 PARTY ROOM  
1ST FLOOR SCALE 1:5



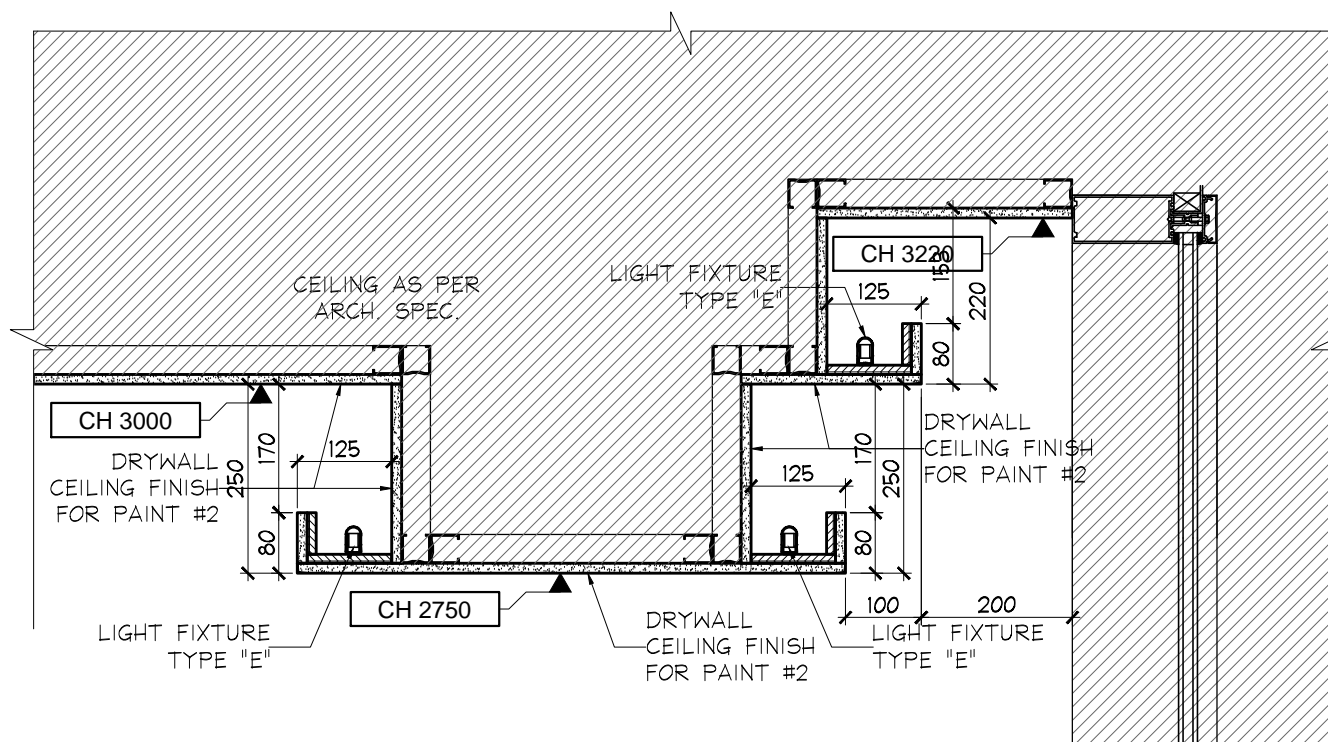
15 CEILING SECTION  
ID3.1.0 PARTY ROOM  
1ST FLOOR SCALE 1:10



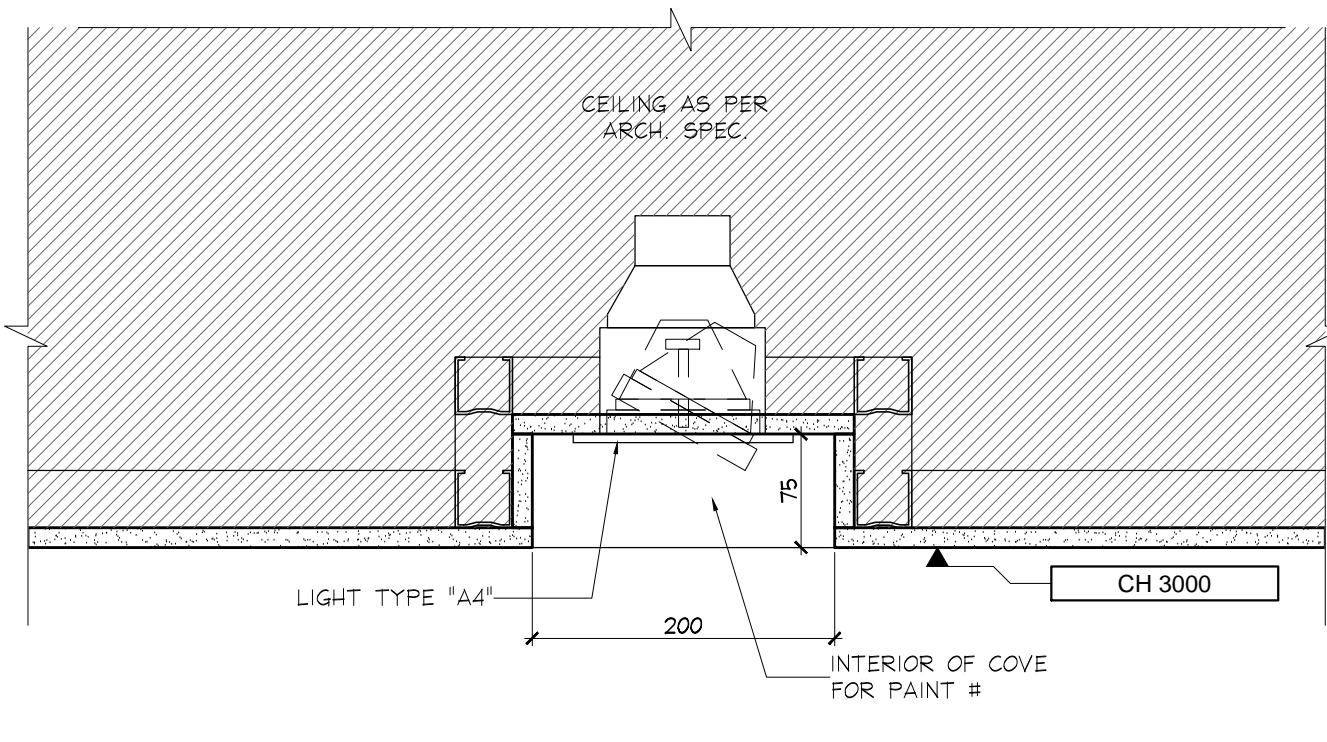
16 CEILING SECTION  
ID3.1.0 PARTY ROOM  
1ST FLOOR SCALE 1:5



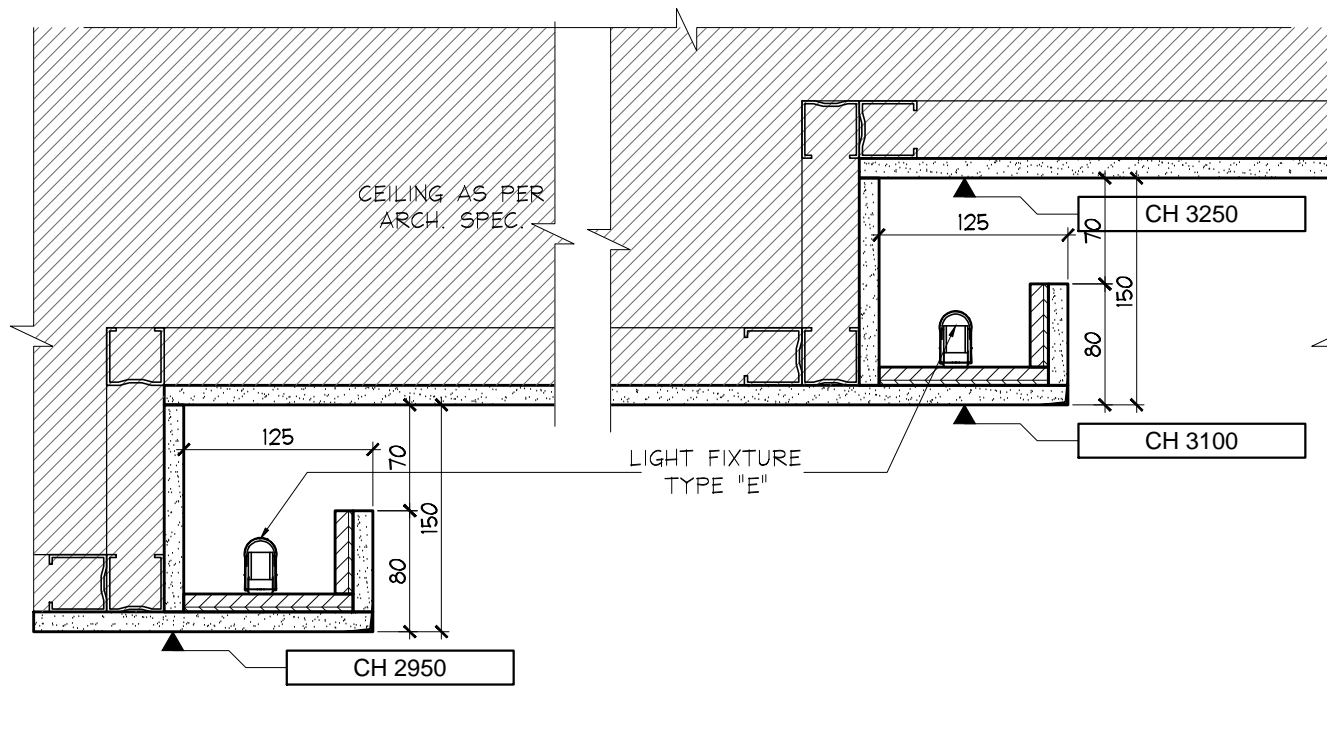
17 CEILING SECTION  
ID3.1.0 PARTY ROOM  
1ST FLOOR SCALE 1:10



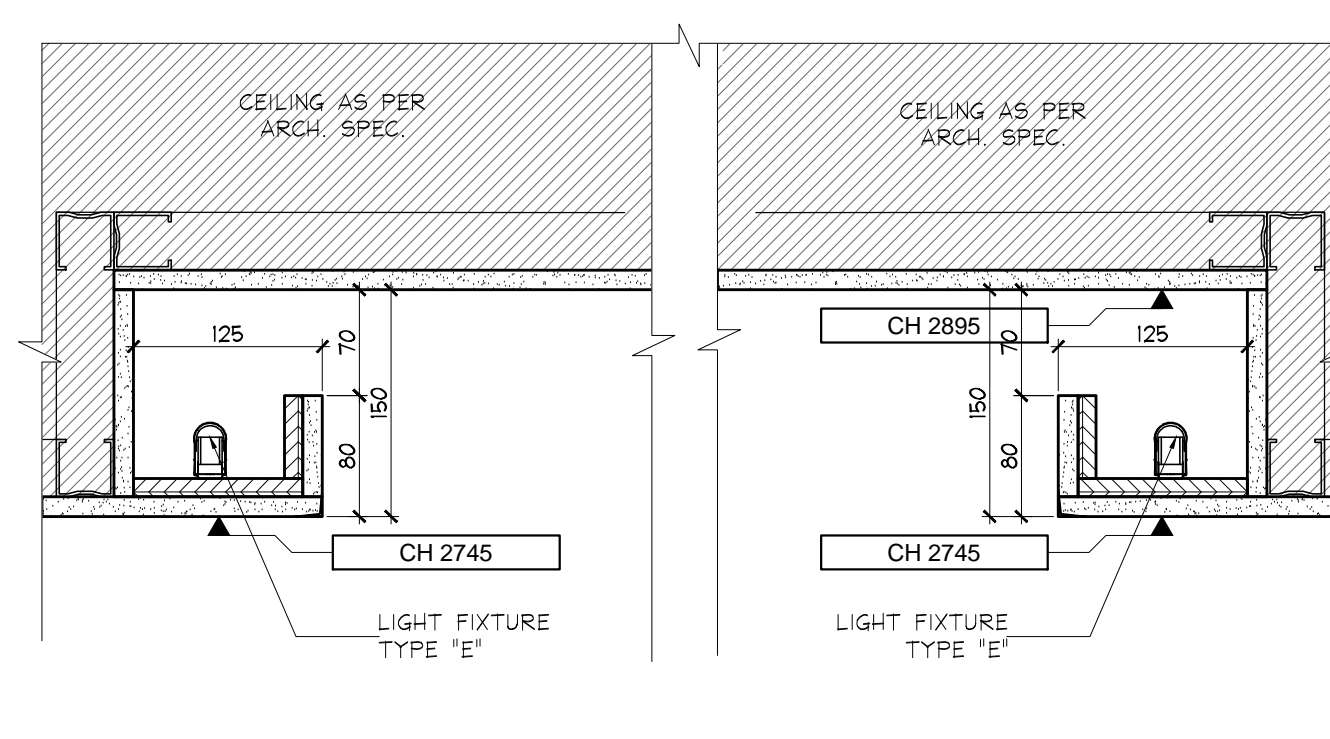
18 CEILING SECTION  
ID3.1.0 FITNESS AREA  
1ST FLOOR SCALE 1:10



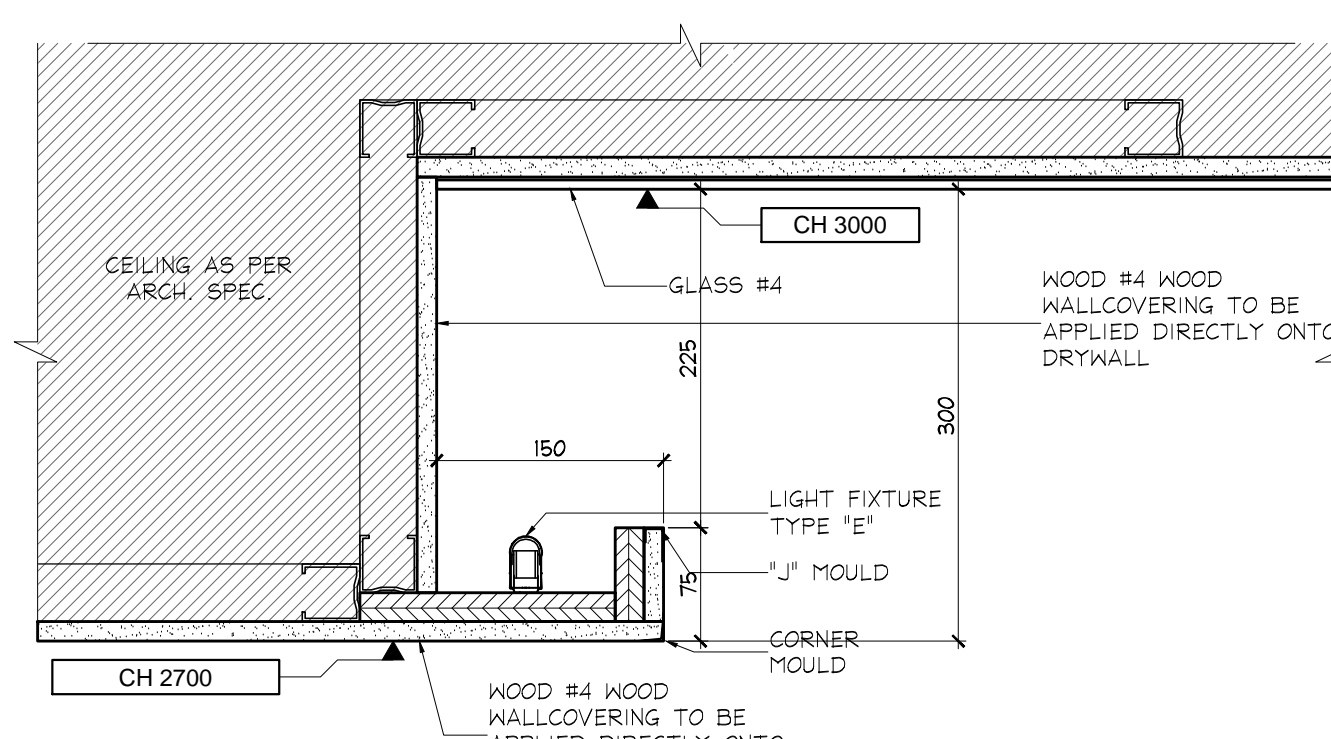
19 CEILING SECTION  
ID3.1.0 FITNESS AREA  
1ST FLOOR SCALE 1:5



20 CEILING SECTION  
ID3.1.0 THEATRE  
1ST FLOOR SCALE 1:5



21 CEILING SECTION  
ID3.1.0 PROPERTY MANAGEMENT OFFICE  
1ST FLOOR SCALE 1:5



22 SECTION @ CORRIDOR 'D' COVE  
ID3.1.0 1ST FLOOR SCALE 1:5

NO	DATE	COMMENTS	INI
11	20 AUG / 15	ISSUED FOR DRYWALL TENDER	CB
10	15 JULY / 15	ISSUED FOR TRIM CARPENTRY TENDER	CB
09	16 JUNE / 15	ISSUED FOR FINISH CARPENTRY	CB
03	08 MAR / 15	ISSUED FOR TILE TENDER	AP
02	26 JAN / 15	ISSUED FOR TENDER	AP
01	22 AUG / 14	ISSUED FOR PERMIT	AP

UNICOR 31

UNICOR 31 INC.  
183 BATHURST STREET, STE. 201  
TORONTO, ON, M5T 2R7, CANADA  
TEL: 416-597-1576 FAX: 416-597-2139

PROJECT NAME:  
**ALEXANDRA PARK  
MAIN BUILDING**  
BLOCK 11  
ON, Canada

PROJECT NO.:  
13-949

DRAWINGS:  
CEILING DETAILS

DATE STARTED: 07 AUG / 13  
SCALE: AS NOTED  
DRAWN BY: GG  
APPROVED BY: KC

DRAWING NO.:  
ID  
3.1.0